



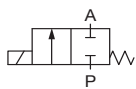
2/2 and 3/2-way Rocker Solenoid Valve for analytical applications

- 10 mm width
- Orifice DN0.8 to DN1.6 with pressure range vacuum to 5 bar
- Medium separation, for aggressive fluids
- Direct acting

Type 6624 combines the reliable and successful Rocker principle with a highly innovative new actuator. The TwinPower concept of this actuator reduces the size greatly without loss in performance. Hence the 10 mm wide medium isolated rocker valve, 6624, with a 1.6 mm orifice and a pressure resistance of 2 bar, provides the same performance as a traditional 16 mm valve. In addition, the integrated power reduction decreases the energy consumption by 75%. In combination with other design features the heat transfer into the medium can be reduced to a minimum.

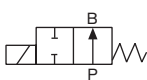
In the design of the 6624, the main benefits lie in its excellent cleanability and a high reliability. By using high performance materials the 6624 suits the handling of aggressive medium perfectly. The valve is available in a 2-way and 3-way version.

Circuit function A



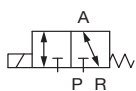
2/2-way valve,
normally closed

Circuit function B



2/2-way valve,
normally open

Circuit function T



3/2-way valve,
universal function

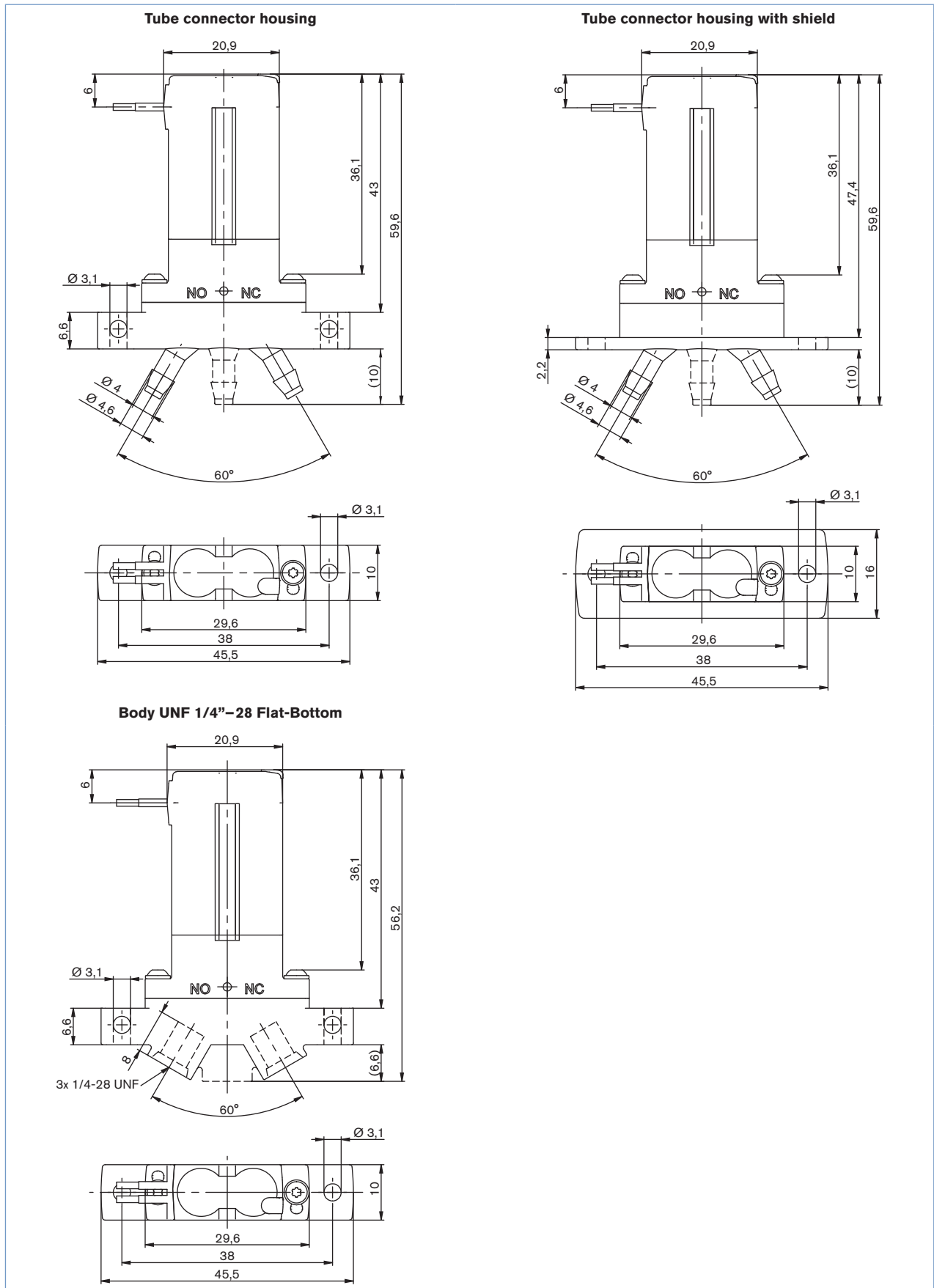
| Technical Data | |
|------------------------------------|---|
| Orifice | DN0.8 mm (Vac...5 bar), DN1.6 mm (Vac...2 bar) |
| Body material | PEEK / PPS |
| Seal material | FFKM / FKM / EPDM |
| Medium | Resistant to neutral and aggressive gases and liquids acc. to our chemical resistance chart |
| Medium temperature | |
| FFKM | +15...+50°C |
| FKM | -10...+50°C |
| EPDM | -10...+50°C (for orifice DN0.8) +5...+50°C (for orifice DN1.6) |
| Ambient temperature | |
| FFKM | +15...+55°C |
| FKM | -10...+55°C |
| EPDM | -10...+55°C |
| Internal volume | <100 µl |
| Port connection | Sub-base / UNF / Tube connection |
| Electrical connection | Flying leads, Rectangular plug |
| Power supply | 24 V ¹⁾ / 12 V ¹⁾ |
| Voltage tolerance | |
| 24 V | ±10% ²⁾ |
| 12 V | +10% / -5% ²⁾ |
| Nominal power consumption | 4 W inrush power 1 W nominal holding power (internal power reduction) |
| Duty cycle | 100% continuous rating |
| Installation | As required |
| Protection class | IP40 |
| Switching frequency | max. 5 Hz ³⁾ |
| Response times³⁾ | |
| opening | Acc. DIN 12238 ca. 10 ms (Pressure rise 0...10%) |
| closing | ca. 13 ms (Pressure drop 100...90%) |

¹⁾ Battery voltage, observe polarity (red= +, black = -)

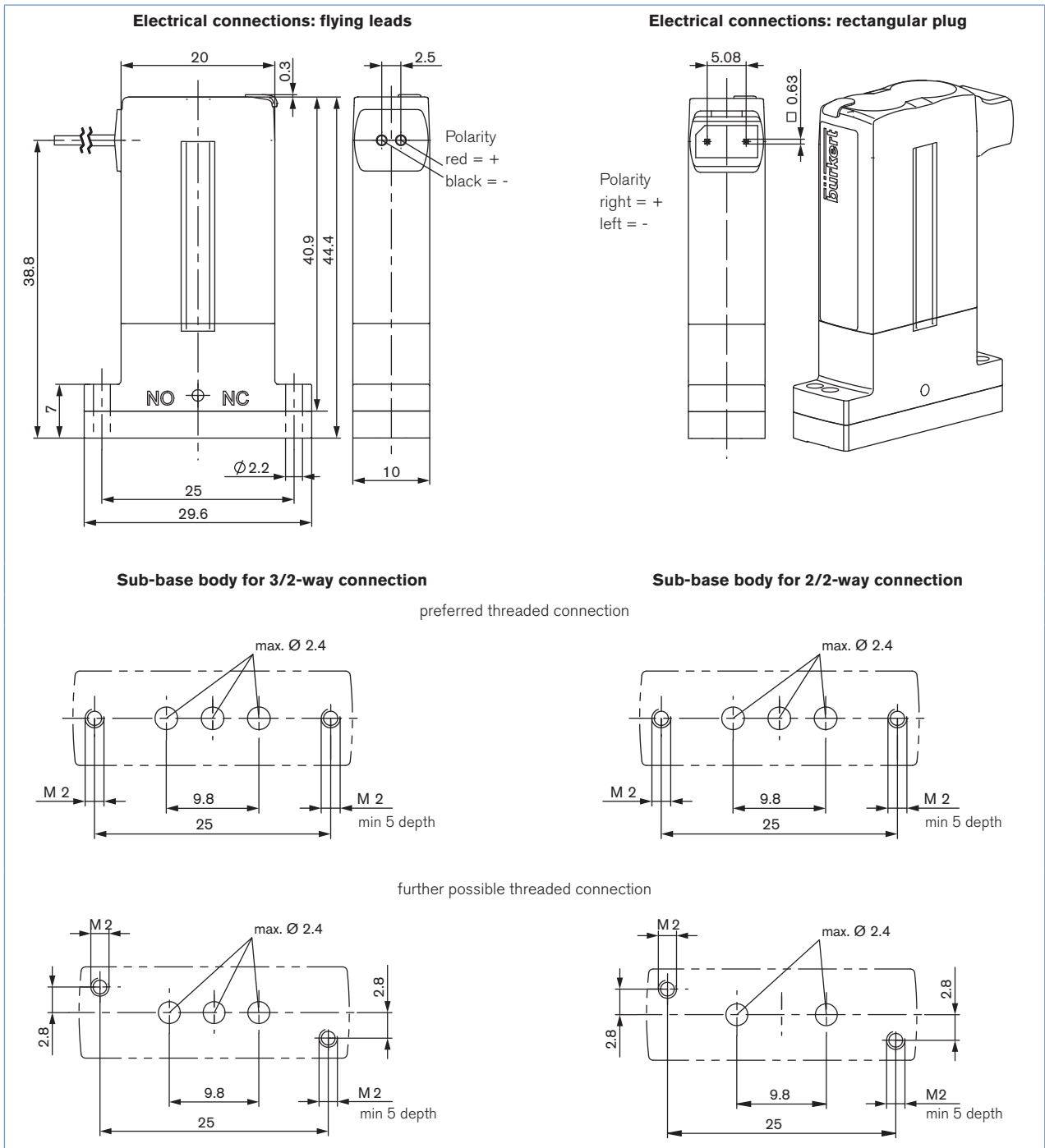
²⁾ Max. allowed ripple

³⁾ with ambient temperature of 20°C

Dimensions [mm]

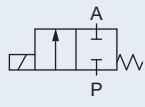
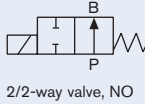


Dimensions [mm]

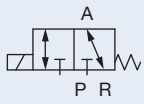


DTS 1000155774 EN Version: F Status: RL (released | freigegeben | valide) printed: 04.05.2016

Ordering chart (Sample of available versions. Others on request.)

| Circuit function | Orifice [mm] | Port connection | Kv value water [m ³ /h] ¹⁾ | Pressure range [bar] ²⁾ | Max. pressure difference [bar] | Seal material | Body material | Electrical connection | Voltage/Frequency [V/Hz] | Item no. |
|--|--------------|-----------------|--|------------------------------------|--------------------------------|---------------|--------------------------------|--------------------------------|--------------------------|------------|
| A  2/2-way valve, NC | 0.8 | Sub-base | 0.01 | Vac...5 | 5 | EPDM | PPS | Flying leads | 12 | 241 341 |
| | 0.8 | Sub-base | 0.01 | Vac...5 | 5 | EPDM | PPS | Rectangular plug ³⁾ | 12 | 241 398 |
| | 0.8 | Sub-base | 0.01 | Vac...5 | 5 | EPDM | PPS | Flying leads | 24 | 241 342 |
| | 0.8 | Sub-base | 0.01 | Vac...5 | 5 | EPDM | PPS | Rectangular plug ³⁾ | 24 | 241 399 |
| | 0.8 | Sub-base | 0.01 | Vac...5 | 5 | FFKM | PEEK | Flying leads | 12 | 241 344 |
| | 0.8 | Sub-base | 0.01 | Vac...5 | 5 | FFKM | PEEK | Flying leads | 24 | 227 015 |
| | 0.8 | Sub-base | 0.01 | Vac...5 | 5 | FKM | PPS | Rectangular plug ³⁾ | 12 | 241 405 |
| | 0.8 | Sub-base | 0.01 | Vac...5 | 5 | FKM | PPS | Flying leads | 24 | 241 351 |
| | 0.8 | UNF | 0.01 | Vac...5 | 5 | FFKM | PEEK | Flying leads | 24 | 241 346 |
| | 0.8 | UNF | 0.01 | Vac...5 | 5 | FKM | PEEK | Flying leads | 24 | 241 349 |
| | 0.8 | UNF | 0.01 | Vac...5 | 5 | FKM | PEEK | Rectangular plug ³⁾ | 24 | 241 404 |
| | 1.6 | Sub-base | 0.04 | Vac...2 | 2 | EPDM | PPS | Rectangular plug ³⁾ | 12 | 241 412 |
| | 1.6 | Sub-base | 0.04 | Vac...2 | 2 | EPDM | PPS | Rectangular plug ³⁾ | 24 | 241 413 |
| | 1.6 | Sub-base | 0.04 | Vac...2 | 2 | FFKM | PEEK | Flying leads | 12 | 241 359 |
| | 1.6 | Sub-base | 0.04 | Vac...2 | 2 | FFKM | PEEK | Rectangular plug ³⁾ | 24 | 229 429 |
| | 1.6 | Sub-base | 0.04 | Vac...2 | 2 | FKM | PPS | Flying leads | 12 | 241 367 |
| | 1.6 | Sub-base | 0.04 | Vac...2 | 2 | FKM | PPS | Rectangular plug ³⁾ | 12 | 241 424 |
| | 1.6 | Sub-base | 0.04 | Vac...2 | 2 | FKM | PPS | Flying leads | 24 | 241 368 |
| | 1.6 | UNF | 0.04 | Vac...2 | 2 | EPDM | PEEK | Rectangular plug ³⁾ | 24 | 241 411 |
| | 1.6 | UNF | 0.04 | Vac...2 | 2 | FFKM | PEEK | Flying leads | 24 | 241 361 |
| 1.6 | UNF | 0.04 | Vac...2 | 2 | FKM | PEEK | Flying leads | 24 | 241 366 | |
| 1.6 | UNF | 0.04 | Vac...2 | 2 | FKM | PEEK | Rectangular plug ³⁾ | 24 | 241 423 | |
| 1.6 | Tube | 0.04 | Vac...2 | 2 | EPDM | PEEK | Rectangular plug ³⁾ | 24 | 241 409 | |
| 1.6 | Tube | 0.04 | Vac...2 | 2 | FFKM | PEEK | Flying leads | 24 | 237 705 | |
| 1.6 | Tube | 0.04 | Vac...2 | 2 | FKM | PEEK | Flying leads | 24 | 241 363 | |
| 1.6 | Tube | 0.04 | Vac...2 | 2 | FKM | PEEK | Rectangular plug ³⁾ | 24 | 241 421 | |
| B  2/2-way valve, NO | 0.8 | Sub-base | 0.01 | Vac...5 | 5 | FFKM | PEEK | Flying leads | 24 | on request |
| | 1.6 | Sub-base | 0.04 | Vac...2 | 2 | FFKM | PEEK | Flying leads | 24 | on request |
| | 1.6 | Sub-base | 0.04 | Vac...2 | 2 | FFKM | PEEK | Rectangular plug ³⁾ | 24 | on request |

Ordering chart, continued (Sample of available versions. Others on request.)

| Circuit function | Orifice [mm] | Port connection | Kv value water [m ³ /h] ¹⁾ | Pressure range [bar] ²⁾ | Max. pressure difference [bar] | Seal material | Body material | Electrical connection | Voltage/Frequency [V/Hz] | Item no. |
|---|--------------|--------------------|--|------------------------------------|--------------------------------|---------------|--------------------------------|--------------------------------|--------------------------|----------|
| T | 0.8 | Sub-base | 0.01 | Vac...5 | 5 | EPDM | PPS | Rectangular plug ³⁾ | 12 | 241 428 |
|  | 0.8 | Sub-base | 0.01 | Vac...5 | 5 | EPDM | PPS | Rectangular plug ³⁾ | 24 | 241 429 |
| | 0.8 | Sub-base | 0.01 | Vac...5 | 5 | FFKM | PEEK | Flying leads | 12 | 241 373 |
| | 0.8 | Sub-base | 0.01 | Vac...5 | 5 | FFKM | PEEK | Flying leads | 24 | 222 936 |
| | 0.8 | Sub-base | 0.01 | Vac...5 | 5 | FKM | PPS | Flying leads | 24 | 241 379 |
| 3/2-way valve, Universal version | 0.8 | Sub-base | 0.01 | Vac...5 | 5 | FKM | PPS | Rectangular plug ³⁾ | 12 | 241 435 |
| | 0.8 | UNF | 0.01 | Vac...5 | 5 | FFKM | PEEK | Flying leads | 24 | 241 375 |
| | 0.8 | UNF | 0.01 | Vac...5 | 5 | FKM | PEEK | Flying leads | 24 | 241 377 |
| | 0.8 | UNF | 0.01 | Vac...5 | 5 | FKM | PEEK | Rectangular plug ³⁾ | 24 | 241 434 |
| | 1.6 | Sub-base | 0.04 | Vac...2 | 2 | EPDM | PPS | Rectangular plug ³⁾ | 12 | 241 442 |
| | 1.6 | Sub-base | 0.04 | Vac...2 | 2 | EPDM | PPS | Rectangular plug ³⁾ | 24 | 241 443 |
| | 1.6 | Sub-base | 0.04 | Vac...2 | 2 | FFKM | PEEK | Flying leads | 12 | 239 935 |
| | 1.6 | Sub-base | 0.04 | Vac...2 | 2 | FFKM | PEEK | Flying leads | 24 | 227 815 |
| | 1.6 | Sub-base | 0.04 | Vac...2 | 2 | FFKM | PEEK | Rectangular plug ³⁾ | 24 | 229 430 |
| | 1.6 | Sub-base | 0.04 | Vac...2 | 2 | FKM | PPS | Flying leads | 12 | 241 394 |
| | 1.6 | Sub-base | 0.04 | Vac...2 | 2 | FKM | PPS | Rectangular plug ³⁾ | 12 | 241 453 |
| | 1.6 | Sub-base | 0.04 | Vac...2 | 2 | FKM | PPS | Flying leads | 24 | 241 395 |
| | 1.6 | UNF | 0.04 | Vac...2 | 2 | EPDM | PEEK | Rectangular plug ³⁾ | 24 | 241 441 |
| | 1.6 | UNF | 0.04 | Vac...2 | 2 | FFKM | PEEK | Flying leads | 24 | 241 389 |
| | 1.6 | UNF | 0.04 | Vac...2 | 2 | FKM | PEEK | Rectangular plug ³⁾ | 24 | 241 452 |
| | 1.6 | UNF | 0.04 | Vac...2 | 2 | FKM | PEEK | Flying leads | 24 | 241 393 |
| | 1.6 | Tube | 0.04 | Vac...2 | 2 | EPDM | PEEK | Rectangular plug ³⁾ | 24 | 241 439 |
| | 1.6 | Tube | 0.04 | Vac...2 | 2 | FFKM | PEEK | Flying leads | 24 | 241 387 |
| | 1.6 | Tube ⁴⁾ | 0.04 | Vac...2 | 2 | FFKM | PEEK | Flying leads | 24 | 242 320 |
| | 1.6 | Tube | 0.04 | Vac...2 | 2 | FFKM | PEEK | Rectangular plug ³⁾ | 24 | 241 445 |
| 1.6 | Tube | 0.04 | Vac...2 | 2 | FKM | PEEK | Flying leads | 24 | 241 391 | |
| 1.6 | Tube | 0.04 | Vac...2 | 2 | FKM | PEEK | Rectangular plug ³⁾ | 24 | 241 450 | |

¹⁾ Measured at +20°C, 1 bar pressure at value inlet and free outlet.




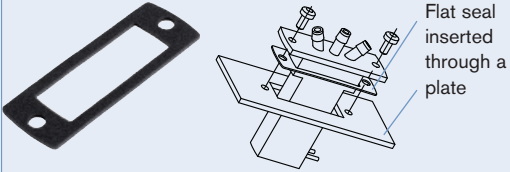
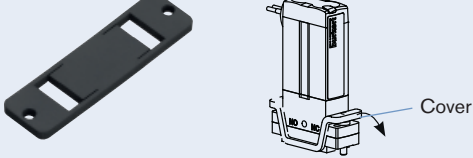
²⁾ Measured as overpressure with respect to atmospheric pressure.

³⁾ Rectangular cable plug with 300 mm flying leads; Item no. 644068 (order separately)

⁴⁾ Housing has a shield for easy separation of electronics and fluidics.

Mounting screws: 2 pieces of VA-screws M2 x 10 (supplied as standard)

Ordering chart accessories

| Accessories | Features | Item no. |
|--|--|------------|
|  | Rectangular plug Type 2505 with 3 m cable | 133 486 |
|  | Rectangular plug Type 2505 with 300 mm flying leads | 644 068 |
|  | Rectangular plug Type 2505, single contact for individual mounting | 644 067 |
|  <p data-bbox="609 855 699 958">Flat seal inserted through a plate</p> | foamed EPDM gasket for tube connector housing with shield | 685 294 |
|  <p data-bbox="609 1144 667 1167">Cover</p> | EPDM dust protection | On request |

To find your nearest Bürkert office, click on the orange box →

www.burkert.com
In case of special application conditions,
please consult for advice.Subject to alterations
© Christian Bürkert GmbH & Co. KG

1510/5_EU-en_00895183