



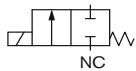
2/2- and 3/2-way Rocker Solenoid Valve

- 22 mm ultra compact design with orifices up to DN 3.0
- Isolating diaphragm for high chemical resistance
- Circuit function NC, NO and 3-way universal
- Back pressure tightness via rocker principle
- Minimal internal volume with excellent cleanability

Direct acting medium separated 2/2- and 3/2-way Rocker Solenoid Valve for control of aggressive fluids and gases in analytical medical applications, the food industry, and also the chemical industry for dosing, filling, mixing and distribution.

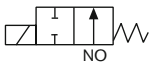
The medium is in contact with fluid housing and seal material solely through the isolating diaphragm. This valve with the new TwinPower-actuator, robust screw-in connection and 22 mm installation width, will fulfil the highest requirements. The established rocker solenoid technology is characterized through full back pressure tightness, good rinsing capability and low internal volume. Type 6628 is available in different technical versions and by virtue of several body options, it offers a perfect adaptation in fluid applications.

Circuit function A



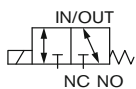
2/2-way valve,
direct acting,
normally closed

Circuit function B



2/2-way valve,
direct acting,
normally open

Circuit function T

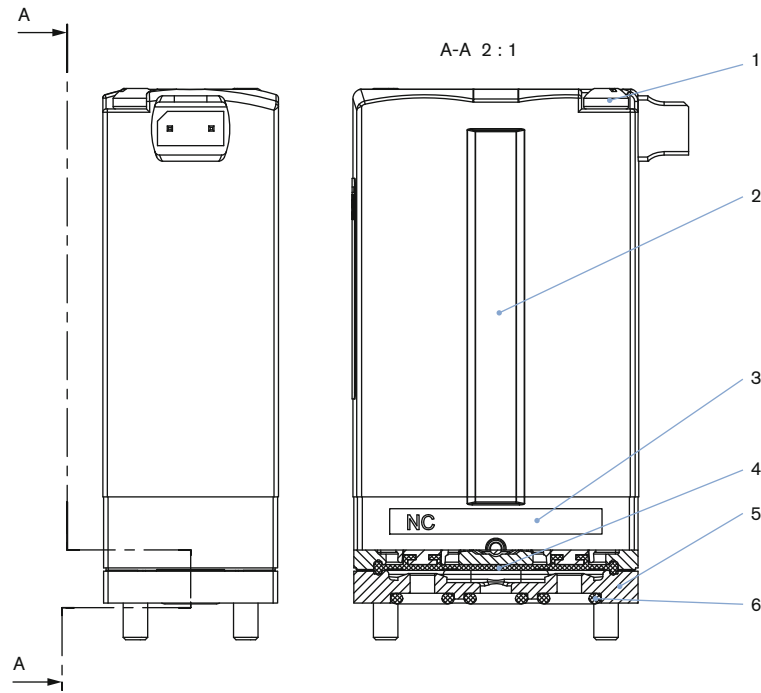


3/2-way valve,
direct acting,
universal function

Other circuit functions on request.

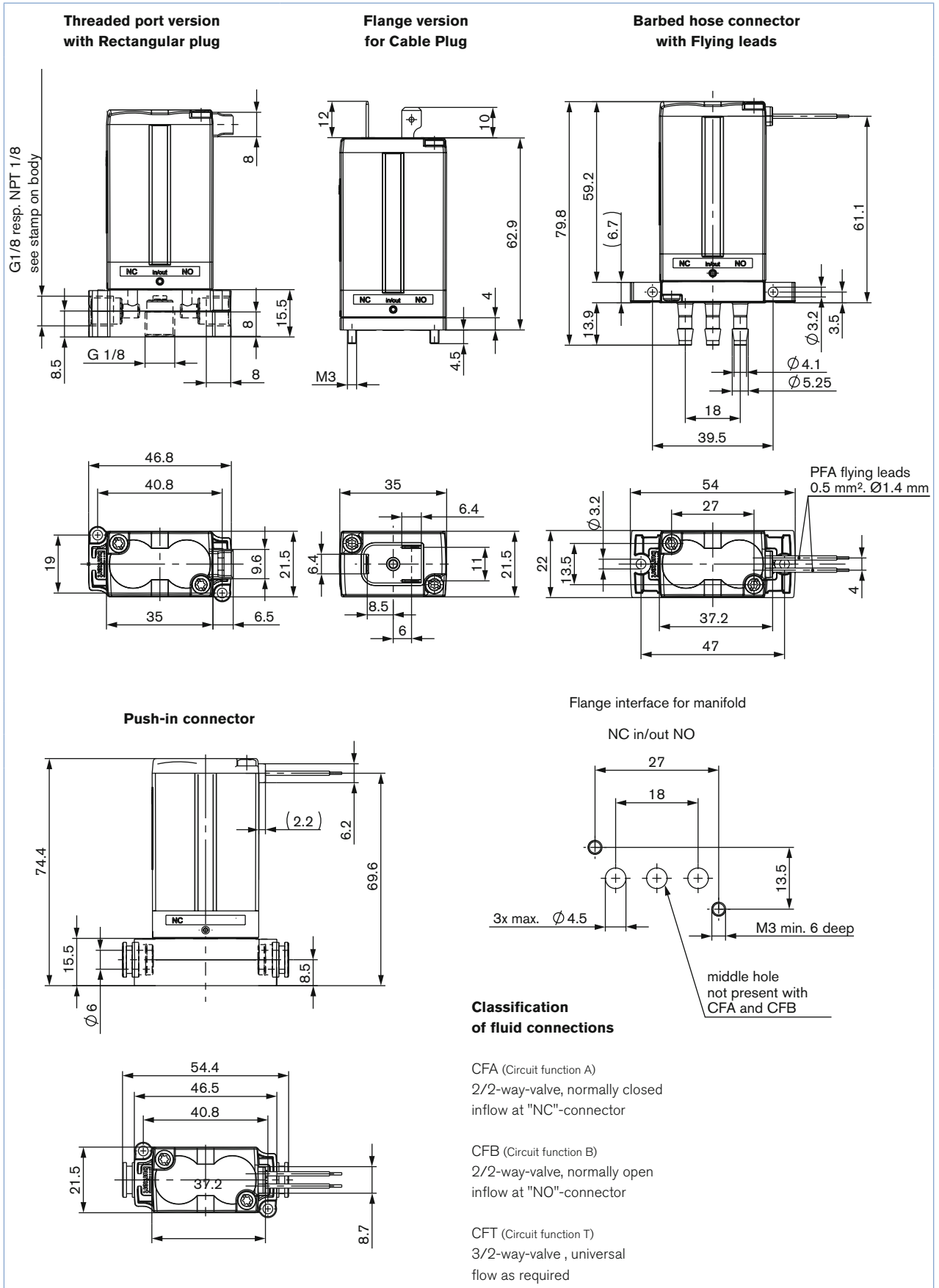
Technical Data	
Orifice	DN 2.0 or 3.0 mm
Body material	PEEK, PPS or PVDF (PP on request)
Seal material	FFKM, FKM or EPDM
Medium	Resistant to neutral and aggressive gases and liquids acc. to our chemical resistance chart
Medium temperature	
FKM	0 to +55 °C
FFKM	+10 to +55 °C
EPDM	-10 to +55 °C
Ambient temperature	
FKM	0 to +55 °C
FFKM	+10 to +55 °C
EPDM	-10 to +55 °C
Internal volume	approx. 200 µl
Viscosity	max. approx. 21 mm ² /s
Port connection	<ul style="list-style-type: none"> ▪ Bürkert-Flange (22 x 35 mm) ▪ G 1/8 ▪ NPT 1/8 ▪ Barbed hose connector 4 mm (5/32") ▪ Push-in connector (tube's external diameter 6 mm)
Electrical connection	<ul style="list-style-type: none"> ▪ PFA single flying leads, 0,5 mm², 500 mm ▪ Rectangular plug for cable plug Type 2505 ▪ Industry plug acc. to DIN 43650 Form B for cable plug Type 2507 on request ▪ circular connector M8 on request
Power supply	12 V DC, 24 V DC Other voltages on request
Voltage tolerance	±10%
Power consumption	5 W
Duty cycle	100% continuous operation
Installation	As required, preferably with actuator upright
Protection class	IP 54 (IP30 with rectangular plug Type 2505)
Response times	Measurement at valve output with 2 bar and 20 °C acc. to DIN ISO 12238:2001
opening	25 ms (pressure build-up 0-10%)
closing	25 ms (pressure build-up 100-90%)
Manual override	on request

Materials

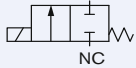
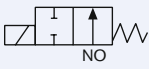


	Description	Material
1	Fixing screw (from end to end)	Stainless steel
2	Coil	Epoxy
3	Valve body	PPS
4	Diaphragm (Medium contact)	FFKM, FKM or EPDM
5	Fluid housing (Medium contact)	PEEK, PPS or PVDF (PP on request)
6	Flange seal (Medium contact)	FFKM, FKM or EPDM

Dimensions [mm]

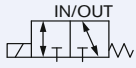


Ordering chart

Circuit function	Orifice [mm]	Port connection	Kv value water [m ³ /h]	Q _{yn} value air [l/min]	Pressure range [bar]	Max. pressure difference [bar]	Seal material	Body material	Electrical connection	Voltage/Frequency [V/Hz]	Item no.															
A  2/2-way valve, direct acting, normally closed	2	Bürkert-Flange	0.1	110	Vac-5	5	EPDM	PPS	Rectangular plug	24/DC	250 857															
									Flying leads, 500 mm	12/DC	251 614															
									Rectangular plug	24/DC	241 727															
									Flying leads, 500mm		246 199															
									Plug top		242 030															
									Flying leads, 500 mm		251 643															
	3	Hose connector	0.17	180	Vac-3	3	PEEK	PPS	Plug top	251 613																
									Flying leads, 500 mm	236 170																
									Plug top	251 644																
									2	Bürkert-Flange	0.1	110	Vac-5	5	FKM	PPS	Rectangular plug	24/DC	251 618							
																	Flying leads, 500 mm	12/DC	251 620							
																	Rectangular plug	24/DC	246 382							
	Flying leads, 500mm	248 017																								
	Plug top	251 624																								
	Flying leads, 500 mm	238 616																								
	3	Hose connector	0.17	180	Vac-3	3	PEEK	PPS	Plug top	251 628																
									Flying leads, 500 mm	242 340																
									Plug top	238 615																
3									Hose connector	0.17	180	Vac-3	3	FKM	PPS	Flying leads, 500mm	251 650									
																2	Bürkert-Flange	0.1	110	Vac-5	5	FFKM	PEEK	Rectangular plug	24/DC	235 315
																								Flying leads, 500 mm	12/DC	234 350
	PVDF	24/DC	235 316																							
	PEEK		270 082																							
	PVDF		235 317																							
PEEK	270 083																									
3	Hose connector	0.17	180	Vac-3	3	PEEK	PPS	Rectangular plug	24/DC	230 304																
								Flying leads, 500 mm		270 081																
								PEEK		235 318																
								PEEK		235 319																
								B  2/2-way valve, direct acting, normally open	3	Bürkert-Flange	0.17	180	Vac-3	3	FFKM	PEEK	Flying leads, 500 mm	24/DC	251 686							

- Kv-value water [m³/h] max. flow rate for water measured at +20 °C, 1 bar pressure to atmosphere
- Rectangular plug types delivered without plug (see ordering chart for accessories)

Ordering chart, continued

Circuit function	Orifice [mm]	Port connection	Kv value water [m ³ /h]	Q _v value air [l/min]	Pressure range [bar]	Max. pressure difference [bar]	Seal material	Body material	Electrical connection	Voltage/Frequency [V/Hz]	Item no.			
T  3/2-way valve, direct acting, universal function	2	Bürkert-Flange	0.1	110	Vac-5	5	EPDM	PPS	Rectangular plug	24/DC	250 859			
									Flying leads, 500 mm		12/DC	241 889		
	3		Hose connector	0.17	180	Vac-2			2	PEEK	Rectangular plug	24/DC	251 616	
											Flying leads, 500mm		245 256	
	2		Bürkert-Flange	0.1	110	Vac-5			5	FKM	PPS	Plug top	24/DC	251 645
												Flying leads, 500 mm		251 617
	3	Hose connector	0.17	180	Vac-2	2	PEEK	Rectangular plug	24/DC			245 205		
								Flying leads, 500mm				251 647		
	2	Bürkert-Flange	0.1	110	Vac-5	5	FKM	PPS	Plug top			24/DC	251 629	
									Flying leads, 500 mm				12/DC	251 630
	3	Hose connector	0.17	180	Vac-2	2			PEEK	Rectangular plug	24/DC	251 633		
										Flying leads, 500mm		251 634		
	2	Bürkert-Flange	0.17	180	Vac-2	2			FFKM	PPS	Plug top	24/DC	251 684	
											Flying leads, 500 mm		251 637	
	3	Hose connector	0.17	180	Vac-2	2	PEEK	Rectangular plug			24/DC	251 638		
								Flying leads, 500mm				251 649		
	2	Bürkert-Flange	0.1	110	Vac-5	5	FFKM	PPS			Plug top	24/DC	251 649	
											Flying leads, 500mm		251 685	
	3	Hose connector	0.17	180	Vac-2	2			PEEK	Rectangular plug	24/DC	235 320		
										Flying leads, 500 mm		12/DC	234 340	
	2	Bürkert-Flange	0.17	180	Vac-2	2			FFKM	PVDF	Rectangular plug	24/DC	235 321	
											Flying leads, 500 mm		12/DC	270 079
	3	Hose connector	0.17	180	Vac-2	2	PEEK	Rectangular plug			24/DC	235 322		
								Flying leads, 500mm				270 080		
2	Bürkert-Flange	0.17	180	Vac-2	2	FFKM	PVDF	Rectangular plug			24/DC	230 305		
								Flying leads, 500 mm				270 078		
3	Hose connector	0.17	180	Vac-2	2			PEEK	Rectangular plug	24/DC	235 323			
									Flying leads, 500 mm		235 325			



- Kv-value water [m³/h] max. flow rate for water measured at +20 °C, 1 bar pressure to atmosphere
- Rectangular plug types delivered without plug (see ordering chart for accessories)

i Further versions on request

Electrical connection
 Cable plug connection acc. to Form B (Industrial standard)
 Flying leads

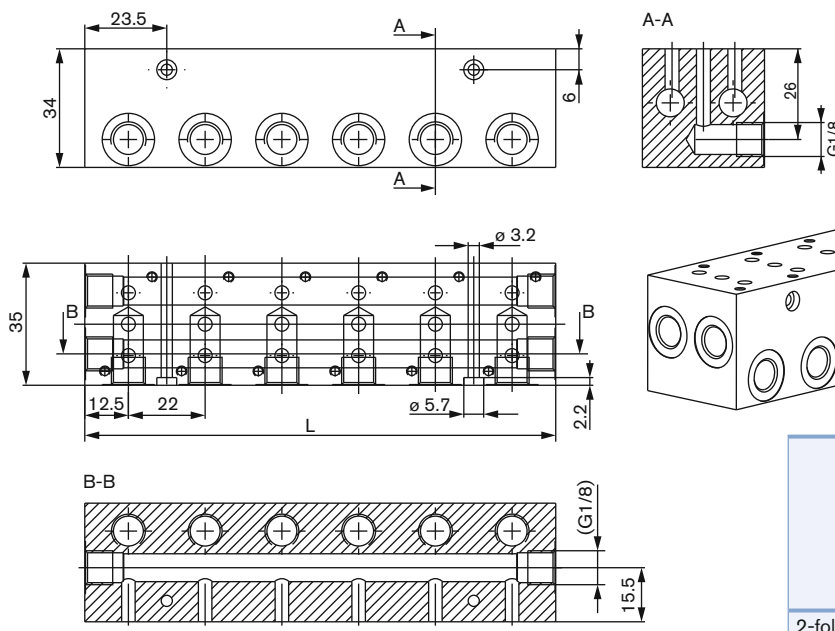
Material
 Other body and seal materials

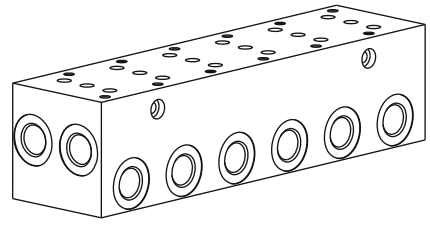
Ordering chart for accessories

Description	Item no.
 <p>Rectangular cable plug Type 2505 with 3 m cable</p>	133 486
 <p>Rectangular cable plug Type 2505 with 300 mm flying leads</p>	644 068
 <p>Cable Plug Type 2507 according to Industrial standard Form B, without circuitry, 0... 250 V AC/DC</p>	423 845
 <p>Cable Plug Type 2507 according to Industrial standard Form B, with LED, 24 V AC/DC</p>	423 849

Dimensions [mm] and ordering chart for manifold

Multiple Manifolds with individual service port (G1/8) and diverter function on 2 common channels (G1/8); Delivery without valves; Material: anodized aluminium





Manifold	L [mm]	Item no.
2-fold	47	669 571
3-fold	69	672 633
4-fold	91	669 572
5-fold	113	672 661
6-fold	135	669 570
10-fold	223	672 660

▪ Other versions on request.

Application examples

Flying leads valve with plug-in coupling



Flying leads valve with threaded body



Rectangular plug with hose connector



Rectangular plug with manual override and flange



To find your nearest Bürkert facility, click on the orange box →

www.burkert.comIn case of special application conditions,
please consult for advice.Subject to alterations
© Christian Bürkert GmbH & Co. KG

1511/5_EU-en_00895161