



Clean up your Cabinet!

Smart solutions for flexible automation

bürkert
FLUID CONTROL SYSTEMS

Pneumatic control of processes can be so easy! Whether low or high flow rate for controlling of pneumatically driven valves, our AirLINE valve islands match your flow rate specifications. Be it for direct wiring or interface modules like Multipol, Profibus, Device-Net, CANopen, Profinet, Ethernet or Modbus, any kind of communications are available.

Furthermore - with AirLINE Quick for example - our new adapter for valve islands and automation systems significantly reduces the need for components in the control cabinet like pneumatic hoses and cables - without any bulkhead connections! This cleans up your control cabinet and even allows for smaller ones. AirLINE Quick is available as a component or individually designed in a control cabinet - it's your choice!



AirLINE Quick automation system type 8644 with interface module and I/O modules from cooperation partner Siemens ET 200S, 16 valve functions



AirLINE Quick valve island type 8640 with Profibus DPV1, 24 valve functions and 24 digital inputs

Want to know more? Call us at +49 (0)79 40 10-0.

www.burkert.com

ATEX Solenoid Valves for Hazardous Locations

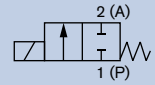
G 1/8" to G 2"

- Valves for use in Zone 1
- Type 6013 ATEX: Direct acting through-way valve
- Type 6281 EV ATEX: Pilot operated through-way valve
- Type 5282 ATEX: Medium separated through-way valve

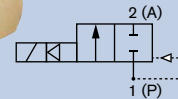
Type 6281 EV ATEX



Type 6013 ATEX



Type 5282 ATEX



Technical Data

	5282 ATEX	6013 ATEX	6281 EV ATEX
Size range	1/2" to 2"	1/8" and 1/4"	1/2" to 2"
Temperature media	0 °C to +70 °C	-10 °C to +100 °C	FKM 0 °C to +90 °C, NBR -10 °C to +80 °C
Surface temperature	T5 = +100 °C	T4 = 135 °C	T4 = 135 °C
Body material	Brass or Stainless steel 1.4581	Brass or Stainless steel 1.4305	Brass or Stainless steel
Seal material	NBR or FKM	FKM	NBR or FKM
Power consumption	DC: 40 W (inrush) 3 W (hold)	DC: 9 W	DC: 9 W
Protection class	IP65	IP65, NEMA4	IP65
Electrical connection	With molded-in cable, 3 m long or with terminal box (without fuse)	With molded-in cable, 3 m long	With molded-in cable, 3 m long
Accreditations	PTB 03 ATEX 1030X II 2G, II 2D, IEC Ex PTB 05.0026X, Ex ed IIC T5 or Ex es mb IIC T5 or Ex ed ia IIC T5 or Ex ed mb ia IIC T5, Ex tD A21 IP65 T +100 °C	PTB 00 ATEX 2129X Ex m II T4, II 2G, II 2D IP65, Tu -30 °C to +60 °C	PTB 00 ATEX 2129X Ex m II T4, II 2G, II 2D IP65, Tu -30 °C to +60 °C
Override	Manual override as standard	Optional	Optional

Options

- **Type 6013 ATEX** – normally open
- **Type 6281 EV ATEX** – normally open
- **Type 5282 ATEX** – normally open

This page shows only a small example of the complete range.

Ordering Chart

5282 ATEX, Pressure range: 0.5 - 10 bar					
Port [inch]	Orifice [mm]	Kv Value [m ³ /h]	Seal material	Item no.	
				24V AC&DC	230V AC&DC
Brass					
G 1/2	13	4	NBR	138 171	138 173
G 3/4	20	5	NBR	138 174	138 176
G 1	25	10	NBR	138 177	138 179
G 1 1/2	40	20	NBR	138 183	138 185
G 2	50	40	NBR	138 186	138 188
Stainless steel					
G 1/2	20	5	FKM	138 228	138 230
G 3/4	20	5	FKM	138 231	138 233
G 1	25	10	FKM	138 234	138 236
G 1 1/2	40	20	FKM	138 240	138 242
G 2	50	40	FKM	138 243	138 245

ATEX Select

Envelope Dimensions [mm] (see datasheet for details)

Version with terminal box

Version with molded cable

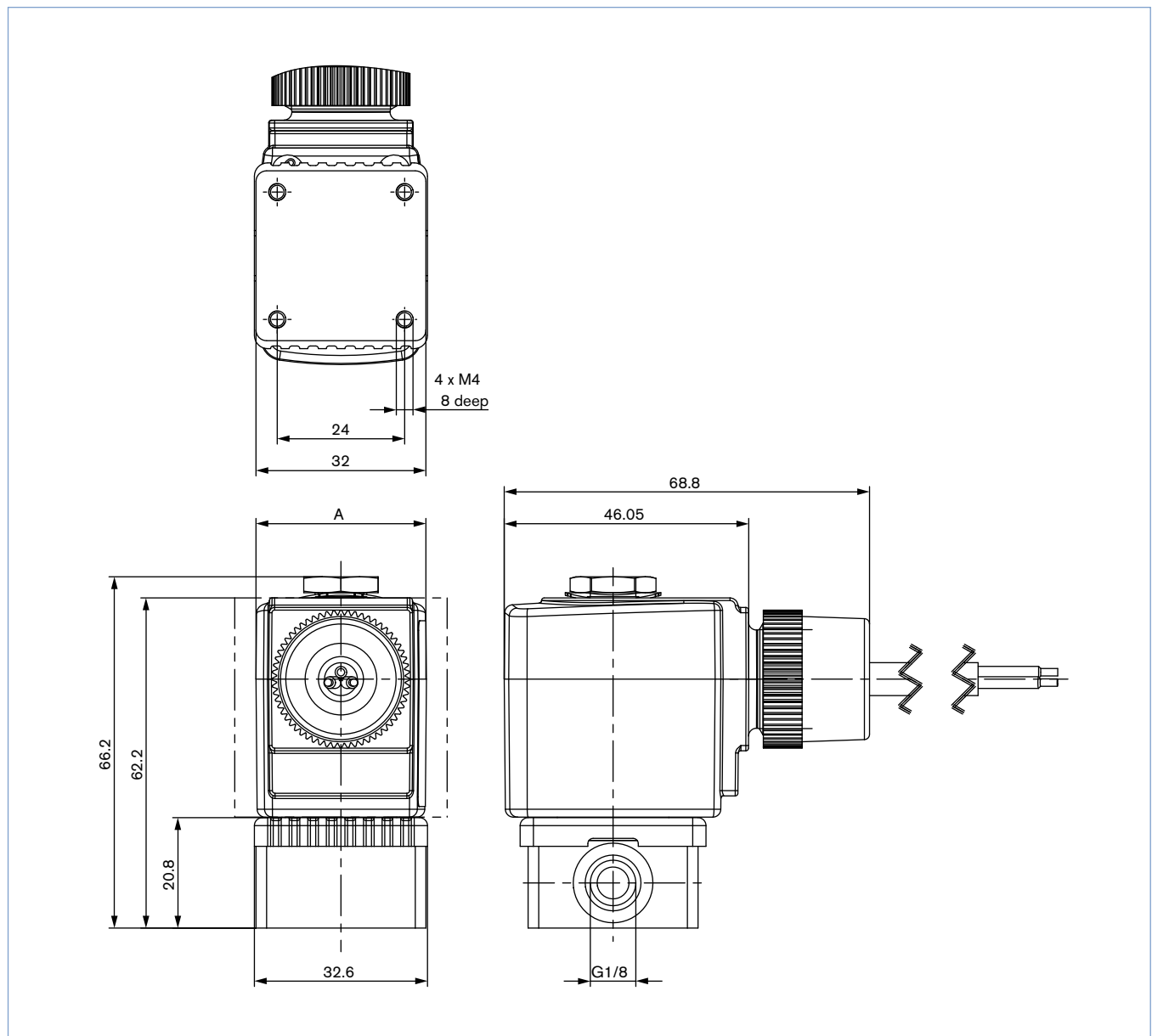
DN	D	B1	E1	F	L1	H1	H2
13	G 1/2	123.0	40	14	65	180.0	123.0
20	G 1/2	131.0	60	14	100	188.0	131.0
20	G 3/4	131.0	60	16	100	188.0	131.0
25	G 1	141.0	70	18	115	198.0	141.0
32	G 1 1/4	147.0	85	20	126	204.0	147.0
40	G 1 1/2	156.0	85	22	126	213.0	156.0
50	G 2	177.5	115	24	164	234.5	177.5
65	G 2 1/2	185.0	115	27	180	242.0	185.0

Ordering Chart

ATEX Select

6013 ATEX					
Port [inch]	Orifice [mm]	Kv Value [m ³ /h]	Pressure range [bar]	Item no.	
				024V AC&DC	230V AC&DC
Brass					
G 1/8	2	0.12	0 - 10	278 592	136 041
	3	0.23	0 - 5	136 045	136 047
G 1/4	2	0.12	0 - 10	278 605	139 894
	3	0.23	0 - 5	278 594	136 050
Stainless steel					
G 1/8	2	0.12	0 - 10	278 584	136 029
	3	0.23	0 - 5	278 586	136 032
G 1/4	2	0.12	0 - 10	278 601	139 889
	3	0.23	0 - 5	278 87	136 035

Envelope Dimensions [mm] (see datasheet for details)



Ordering Chart

6281 EV ATEX, Pressure range: 0.2 - 16 bar				
Port connection [inch]	Orifice [mm]	Kv value water [m3/h]	Item no. voltage/frequency [V/Hz]	
			024/UC ATEX	230/UC ATEX
Brass body, Seal material NBR				
G 1/2	13	3.8	228 405	228 406
G 3/4	20	8.5	228 407	228 408
G 1	25	12	228 409	228 410
G 1 1/4	25	12	228 411	228 412
G 1 1/2	40	30	228 413	228 414
G 2	40	30	228 415	228 416
Stainless steel body, Seal material FKM				
G 1/2	13	3.8	228 417	228 418
G 3/4	20	8.5	228 419	228 420
G 1	25	12	228 421	228 422
G 1 1/4	25	12	228 423	228 424
G 1 1/2	40	30	228 425	228 426
G 2	40	30	228 427	228 428

ATEX Select

Envelope Dimensions [mm] (see datasheet for details)

Coil size	DN	A	B	C	D	E	F1	G		H	J	K	L	SW	N
								G1	H						
5	13	87.2	100.7	42	54.5	27.25	12	G 3/8	32	20.5	45	58	27	-	
		87.2	100.7			32.5	14	G 1/2				65	27		
		89.2	105.2			32.5	16	G 3/4				65	32		
	20	95.7	111.7	60	74	37	16	G 3/4	32	20.5	45	80	32	10	
		98.2	118.7			37.5	18	G 1				80	41		
		102.7	123.2			46	18	G 1				95	41		15
	107.7	132.7	46	20	G 1 1/4	95	50								
	40	121.7	151.7	99	114	61	22	G 1 1/2	32	20.5	45	126	60	23	
		127.7	162.7			64	24	G 2				132	70		
		116.1	151.1			82	24	G 2				164	70		37
	115.8	158.3	89.5	27	G 2 1/2	179	85								
	6	13	87.2	100.7	42	54.5	27.25	12	G 3/8	40	23.5	51	58	27	-
87.2			100.7	32.5			14	G 1/2	65				27		
89.2			105.2	32.5			16	G 3/4	65				32		
20		95.7	111.7	60	74	37	16	G 3/4	40	23.5	51	80	32	10	
		98.2	118.7			37.5	18	G 1				80	41		
		102.7	123.2			46	18	G 1				95	41		15
107.7		132.7	46	20	G 1 1/4	95	50								
40		121.7	151.7	99	114	61	22	G 1 1/2	40	23.5	51	126	60	23	
		127.7	162.7			64	24	G 2				132	70		
		116.1	151.1			82	24	G 2				164	70		37
115.8		158.3	89.5	27	G 2 1/2	179	85								