

AS-Interface cable plug



- With integrated AS-Interface connection
- Quick and robust installation
- Simple commissioning and error identification with LED status display

Type 2511 ASI can be combined with...



Type 6213
Solenoid valve



**Type 6519
NAMUR**
Pneumatic valve



Type 5282
Servo-assisted
solenoid valve

The ASI cable plug consist of a polyamide body with an integrated slave electronics and a connector configuration according to DIN EN 175301-803 Form A. These plugs connect binary elements with the corresponding tag connectors, e.g., valves, to the AS-interface. In addition, feedback signals can be received by the variants with the M12 socket in the cover. With the M12 connectors, the installation times are quick and the electrical connection is simple.

The advantages with ASI cable plug

- Robust and quick installation according to the AS-interface specification.
- LED status displays facilitate commissioning and fault finding.
- Bus supply: Transmission of signals and supply voltage on a common line.
- External supply: transmission of signals and supply voltage on separate lines (such as Emergency Stop or elements with high current consumption).

Technical data		
Mechanical data		
Body material	Polyamide	
Body cover	Polysulfon, transparent	
Contact material	Brass, galvanised silver-plated	
Tag connector acc. to DIN EN 175301-803	Type 2510 Form C, Type 2511 Form A	
General data		
Electrical connection		
On cable	M12 socket, 4-pin required	
Device side (on valve)	Cable Plug for Tag connector acc. to DIN EN175301-803	
Rückmeldereingänge (optional)	M12 plug, 4 pin required	
Operational display LED	1 x yellow; 1 x green	
Watchdog function	integrated	
Ambient temperature	0 to +50 °C	
Soiling level	3 acc. to DIN VDE 0110 part 1	
Protection class	IP65	
	Profile S-B.F.F	Profile S-B.A.E
Certification through AS-Intern. Ass.	(No. 32001, 32002)	
Electrical data		
Supply voltage	29.5 - 31.5 V acc. to ASI-Specification (PELV)	
Max. current	from the AS-Interface	
Only electronic	10 mA	10 mA
Bus-supplied (electronic, valve, sensor)	300 mA	120 mA
External supplied (electronic, sensor)	80 mA	–
Output voltage	24 V ±10 %	

continued on next page

Outputs		
Max. valve output current Bus-supplied	short-circuit proof	
	205 mA, without input	100 mA
	125 mA, with 2 inputs	
External supplied	700 mA	-
Output max. switching power Bus-supplied	5 W without input	
	3 W with 2 inputs	2W
	External supplied	15W
External supplied	15W	-
Input (optional)		
Input connection	3-wire-voltage-sensor PNP	-
	2-wire-voltage-sensor	-
Supply voltage sensor	24 V ±20 %	-
Max. sensor current	50 mA for 2 sensors	-
Pegel HIGH-Signal (logic=1)	≥10 V	-
Pegel LOW-Signal (logic=0)	≤1.5 mA	-
Max. sensor current	≤6.5 mA	-



Please consider: the nominal power of the valve is not identical to the rated power – the rated power can be noticeably higher

Ordering chart AS-Interface Cable Plug

Energy	Feedback input	ASI-Profile S-B.F.F max. 31 Slaves	ASI-Profile S-B.A.E max. 62 Slaves
Type 2511 Plug Form A			
Bus-supplied	without	142 695	242 693
Bus-supplied	2 DI	142 694	-
External supplied, max. 15W	without	142 690	-
External supplied, max. 15W	2 DI	142 691	-
Type 2510 Plug Form C			
Bus-supplied	without	142 693	242 690
Bus-supplied	2 DI	142 692	-
External supplied, max. 15W	without	-	-
External supplied, max. 15W	2 DI	-	-

The delivery of an AS-Interface appliance socket includes the seal and the fixing screw.

Ordering chart accessories

	Designation	Usage	Item no.
	M12 T-Connector	To connect the bus-supplied appliance socket to the AS-Interface (yellow ribbon cable)	799 646
	M12 plug with PG7 screw fitting; 5-pole	Always order plugs in connection with one of the AS-Interfaces	917 116

Other accessories on request:

- Y-shaped distributor for connection of the feedback element (2M8 to M12 and/or M12 to M12) in various lengths
- AS-Interface ribbon cable
- AS-Interface Master Gateways
- AS-Interface power units

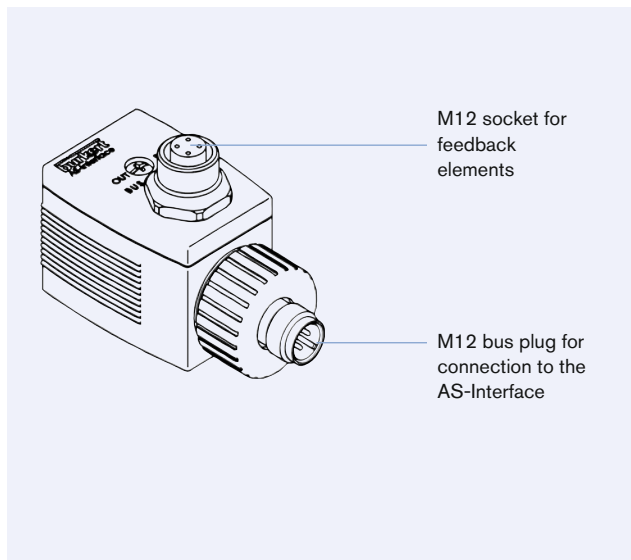
LED status display

Display	LED colour	LED status	Information
OUT	yellow	off	not switched
		on	switched
BUS	green	off	Power OFF
		on	OK
		blinking	Slave Adress 0
IN 1 / IN2 (Inputs LED)	yellow	off	not switched
		on	switched
Ext. Power	green	on	24 V Power supply

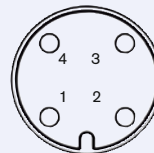
Assignment of the data bits

Data bit	Assign	Remarks
D3	IN1	Model with acceptance of feedback elements
D2	IN2	Model with acceptance of feedback elements
D1	-	
D0	OUT	

AS-Interface socket with M12 bus plug



PIN configuration of M12 bus plug



- 1 AS-Interface+
- 2 0 V ¹⁾
- 3 AS-Interface-
- 4 24 V ¹⁾

¹⁾ only for externally supplied appliance sockets

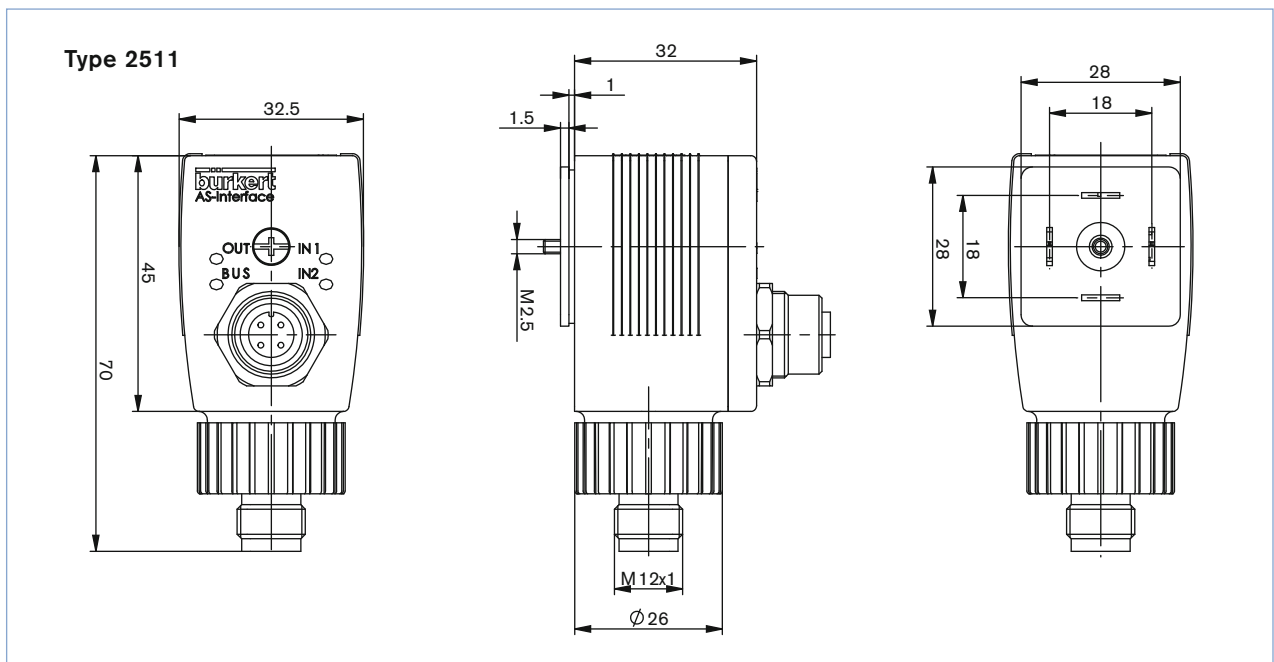
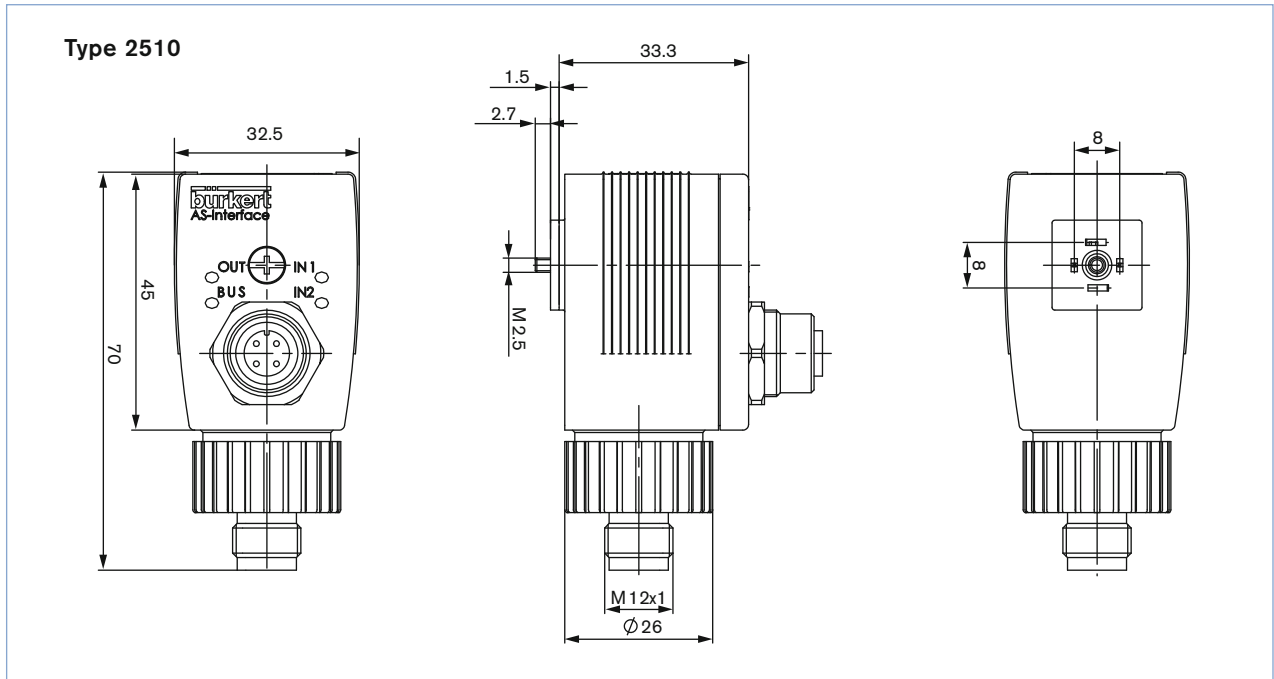
PIN configuration of M12 socket for feedback elements



- 1 +24 V
- 2 Sensor 2
- 3 0 V
- 4 Sensor 1

Dimensions [mm]

Appliance socket, with receptacle for feedback element, with translucent cover



To find your nearest Bürkert facility, click on the orange box →

www.burkert.com

In case of special application conditions,
please consult for advice.

We reserve the right to make technical changes without notice.
© Christian Bürkert GmbH & Co. KG

1508/5_EU-en_00891686