

Pilot-Operated Solenoid Valve for Process Actuation



6518/6519 EExi



3/2- or 5/2-Way, PN 2 – 8 bar

- ✓ PTB EEx ia IIC T6 approved
- ✓ FM IS / I, II, III / ABCDEFG approved
- ✓ High flow rates
- ✓ Long service life

Hazardous Areas

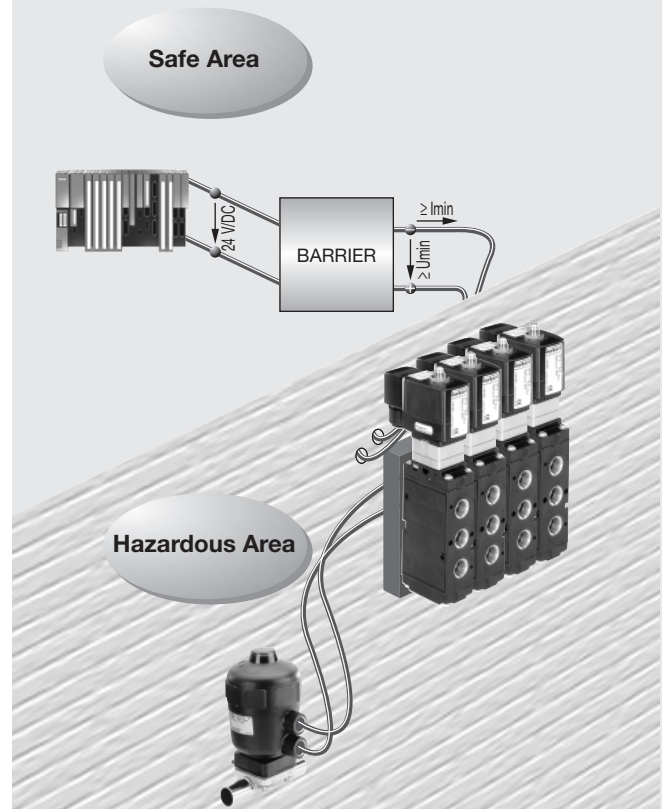
6518
6519
EExi

The 6518/6519 EExi valves are used for process actuation in hazardous areas. Thanks to the intrinsically safe design and the choice of corrosion resistant materials, the valves can be used in a wide variety of demanding applications.

Process Specification

Nominal voltage	24 V/DC <small>(for further information also consult our data sheet „Recommended Barriers“)</small>
Pneumatic connections	G 1/4
Protection class	IP 65 with cable plug
Materials	
Pilot valve	Brass or stainless steel (1.4305)
Body	PA, glass fiber reinforced
Threaded port	Brass or stainless steel
Seal	FPM or PB (NBR and PUR)
Fluids	Lubricated or unlubricated compressed air, instrument air and nitrogen
Ambient temperatures	-25 up to +55°C
Electrical connections	Tag connectors according to DIN 43650A for cable plug type 2508
Mounting position	Any, preferably solenoid system upright

- Applications:**
- Chemical industry
 - Pharmaceutical processing equipment
 - Industrial waste water treatment
 - Oil and gas industry



Pilot-Operated Solenoid Valve for Process Actuation

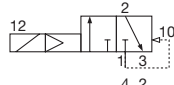


Hazardous Areas

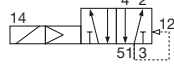
Technical Data

Circuit Function

C 3/2-way valve, servo-assisted, normally closed



H 5/2-way valve, servo-assisted, in de-energized position, port 2 pressurized and port 4 exhausted



Type	Circuit function	Orifice DN [mm]	Qn-Value (air) [l/min]	Pressure range [bar]	Response times		Weight [g]
					opening [ms]	closing [ms]	
6518	C (3/2-way)	8.0	1300	2 – 8	75	115	580
6519	H (5/2-way)	8.0	1300	2 – 8	75	115	670

Stainless steel versions have connection screws in stainless steel as well.

Flow rate: Qn-value air [l/min]

Measured at +20°C, 6 bar pressure at valve inlet and 1 bar pressure difference

Pressure ranges [bar]

Measured as overpressure to the atmospheric pressure

Response times [ms]

Measured at valve outlet at 6 bar and +20°C

Opening Pressure rise from 0 to 90%
Closing Pressure drop from 100 to 10%

Specifications - Ordering Chart (Other Versions on Request)

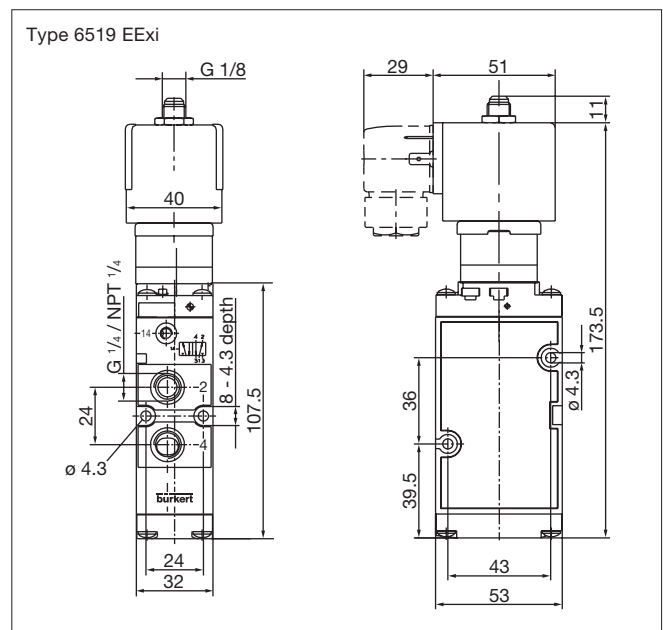
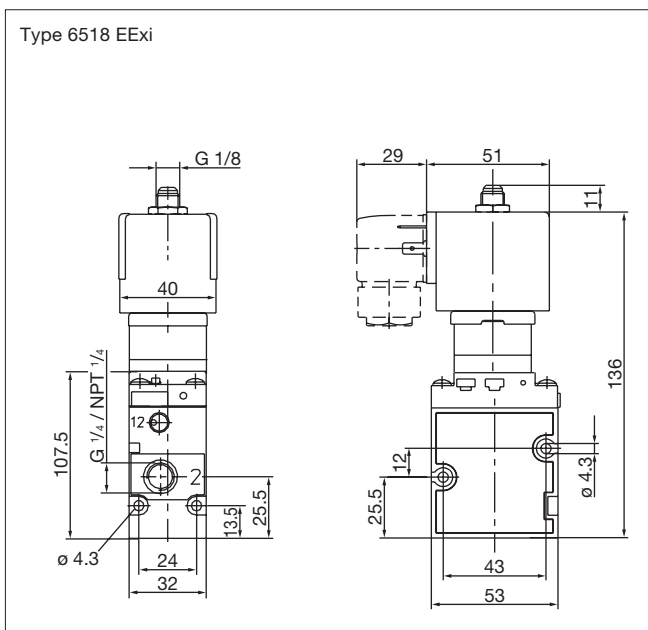
Circuit function	Orifice DN [mm]	Qn-Value (air) [l/min]	Seal material	Nominal pressure [bar]	Body material (pilot)	Supply port material	Item-No.
C (3/2-way)	8.0	1300	NBR + PUR	2 – 8	SS (1.4305)	SS	145 111 J
C (3/2-way)	8.0	1300	NBR + PUR	2 – 8	SS (1.4305)	Brass, nickel-plat.	144 486 J
C (3/2-way)	8.0	1300	NBR + PUR	2 – 8	Brass	Brass, nickel-plat.	147 253 A
H (5/2-way)	8.0	1300	NBR + PUR	2 – 8	SS (1.4305)	SS	144 484 Q
H (5/2-way)	8.0	1300	NBR + PUR	2 – 8	SS (1.4305)	Brass, nickel-plat.	144 485 R
H (5/2-way)	8.0	1300	NBR + PUR	2 – 8	Brass	Brass, nickel-plat.	147 252 H

Ordering Chart Accessories



Item	Description	Material	Item-No.
Cap nut	Additional protection against moisture	Stainless steel	649 554 P

Dimensions [mm]



In case of special application requirements, please consult for advice.

We reserve the right to make technical changes without notice.
112-GB/ 1-0256

6518
6519
EExi