

Type 8200

Probe Holder
Sondenhalter
Support de sonde d'analyse



Operating Instructions

Bedienungsanleitung
Manuel d'utilisation

We reserve the right to make technical changes without notice.
Technische Änderungen vorbehalten.
Sous réserve de modifications techniques.

© Bürkert SAS, 2013-2016

Operating Instructions 1608/01_EU-ML_00564990 / Original_FR

1. ABOUT THESE OPERATING INSTRUCTIONS	4
1.1. Symbols used	4
1.2. Definition of the word "holder"	4
2. INTENDED USE	5
3. BASIC SAFETY INFORMATION	5
4. GENERAL INFORMATION	6
4.1. Manufacturer's address and international contacts	6
4.2. Warranty conditions	6
4.3. Information on the Internet.....	6
5. TECHNICAL DATA	7
5.1. Conditions of use	7
5.2. Dimensions	7
5.3. Mechanical data.....	7
6. INSTALLATION, COMMISSIONING	9
6.1. Safety instructions	9
6.2. Installation of a 8200 G2" version onto an S020 fitting	10
6.3. Installation of a 8200 G1" version onto a Tee fitting ...	10
6.4. Installation of a stick connection 8200 onto a Tee fitting	10
6.5. Installation of a 8200 clamp version	11
6.6. Installation of a 8200 for DN50 thread process connection	11
7. MAINTENANCE AND CLEANING	12
7.1. Safety instructions	12
7.2. Cleaning	12
8. PACKAGING, TRANSPORT AND STORAGE	13
9. DISPOSAL OF THE PRODUCT	13

1. ABOUT THESE OPERATING INSTRUCTIONS

These Operating Instructions describe the entire life cycle of the probe holder. Please keep these Operating Instructions in a safe place, accessible to all users and any new owners.

Important safety information.

Failure to comply with these instructions can lead to hazardous situations. Pay attention in particular to the chapters [3. Basic safety information](#) and [2. Intended use](#).

- ▶ Whatever the version of the device, these Operating Instructions must be read and understood.

1.1. Symbols used



DANGER

Warns against an imminent danger.

- ▶ Failure to observe this warning can result in death or in serious injury.



WARNING

Warns against a potentially dangerous situation.

- ▶ Failure to observe this warning can result in serious injury or even death.



ATTENTION

Warns against a possible risk.

- ▶ Failure to observe this warning can result in substantial or minor injuries.

NOTE

Warns against material damage.



Indicates additional information, advice or important recommendations.



Refers to information contained in these Operating Instructions or in other documents.

- ▶ Indicates an instruction to be carried out to avoid a danger, a warning or a possible risk.

→ Indicates a procedure to be carried out.



Indicates the result of a specific instruction.

1.2. Definition of the word "holder"

The word "holder" used within these Operating Instructions refers to the probe holder type 8200.

2. INTENDED USE

Use of the probe holder that does not comply with the instructions could present risks to people, nearby installations and the environment.

The 8200 probe holder allows to install an analytical probe on a Bürkert S020 fitting or on a Tee fitting available on the market.

- ▶ Use the holder in compliance with the specifications and conditions of commissioning and use given in the contractual documents, in these operating instructions and in the operating instructions for the device which is inserted into the holder.
- ▶ Safe and trouble-free operation of the holder depends on its proper transport, storage and installation, as well as careful operation and maintenance.
- ▶ Only use the holder as intended.

3. BASIC SAFETY INFORMATION

This safety information does not take into account:

- any contingencies or occurrences that may arise during installation, use and maintenance of the devices.
- the local safety regulations for which the operating company is responsible including the staff in charge of installation and maintenance.



Danger due to high pressure in the installation.

Danger due to high temperatures of the medium.

Danger due to the nature of the medium.



Various dangerous situations.

To avoid personal injury, take care to:

- ▶ Prevent any unintentional power supply switch-on.
- ▶ Ensure that installation and maintenance work are carried out by qualified, authorised personnel in possession of the appropriate tools.
- ▶ Guarantee a set or controlled restarting of the process, after a power supply interruption.
- ▶ Use the holder only if in perfect working order and in compliance with the instructions provided in the Operating Instructions.



Various dangerous situations (continued).

To avoid personal injury, take care:

- ▶ To observe the general technical rules when installing and using the holder.
- ▶ Not to use the holder in explosive atmospheres.
- ▶ Not to use medium that is incompatible with the materials from which the holder is made.
- ▶ Not to use the holder in an environment incompatible with the materials from which it is made.
- ▶ Not to subject the holder to mechanical loads.
- ▶ Not to paint the internal or external threaded parts.

NOTE

The holder may be damaged by the medium in contact with.

- ▶ Systematically check the chemical compatibility of the component materials of the holder and the media likely to come into contact with it (for example: alcohols, strong or concentrated acids, aldehydes, alkaline compounds, esters, aliphatic compounds, ketones, halogenated aromatics or hydrocarbons, oxidants and chlorinated agents).

4. GENERAL INFORMATION

4.1. Manufacturer's address and international contacts

To contact the manufacturer of the holder, use following address:

Bürkert SAS

Rue du Giessen

BP 21

F-67220 TRIEMBACH-AU-VAL

The addresses of our international sales offices are available on the internet at: www.burkert.com

4.2. Warranty conditions

The condition governing the legal warranty is the conforming use of the 8200 in observance of the operating conditions specified in these Operating Instructions.

4.3. Information on the Internet

You can find the Operating Instructions and technical data sheets regarding the type 8200 at: www.burkert.com

5. TECHNICAL DATA

5.1. Conditions of use

Medium temperature	depends on the inserted probe and the fitting used. Refer to the relevant operating instructions. If the temperature ranges are different, use the most restrictive range.
Pressure class	depends on the inserted probe and the fitting used. Refer to the relevant operating instructions. If the pressure ranges are different, use the most restrictive range.





5.2. Dimensions

→ Please refer to the technical data sheets regarding the probe holder type 8200, available at: www.burkert.com

5.3. Mechanical data

Type of holder	Process connection
For general purpose (not hygienic)	<ul style="list-style-type: none"> ▪ G2": with insertion fitting type S020 ▪ G1": with Tee fitting available on the market ▪ Stick: with Tee fitting d32xd32 up to d32xd110
Hygienic	<ul style="list-style-type: none"> ▪ Clamp 1 1/2", Ø 50,5 mm (ISO 2852) ▪ Clamp 2", Ø 64 mm (ISO 2852) ▪ For DN50 thread process connection (SMS 1145)

Tab. 1 : Characteristics of the holders

Type of connection		Material		Medium temperature	Medium pressure	
		Frame	Seal			
For general purpose		G2"	Stainless steel (316L / 1.4404), PVC	FKM (EPDM on request)	<ul style="list-style-type: none"> With S020 PVC fitting: 0...+50°C 	<ul style="list-style-type: none"> With S020 PVC fitting: PN10
					<ul style="list-style-type: none"> Stainless steel: -20...+130°C 	<ul style="list-style-type: none"> Stainless steel: PN16
		G1" or stick connection	PVC	FKM	0...+50°C	PN10
Hygienic		Clamp 1½" Insertion depth: 117 mm	Stainless steel (316L / 1.4404)	FKM	-10...+135°C	PN6
		<ul style="list-style-type: none"> Clamp 2" For DN50 thread process connection 	Stainless steel (316L / 1.4404)	EPDM	-10...+140°C	PN16

6. INSTALLATION, COMMISSIONING

6.1. Safety instructions



DANGER

Risk of injury due to high pressure in the installation.

- ▶ Stop the circulation of medium, cut-off the pressure and drain the pipe before loosening the process connections.

Risk of injury due to high medium temperatures.

- ▶ Use safety gloves to handle the holder.
- ▶ Stop the circulation of medium and drain the pipe before loosening the process connections.

Risk of injury due to the nature of the medium.

- ▶ Respect the prevailing regulations on accident prevention and safety relating to the use of hazardous products.



WARNING

Risk of injury if the holder is not tight.

- ▶ Make sure that a probe is inserted in every hole to ensure the tightness of the holder.



WARNING

Risk of injury due to nonconforming installation.

- ▶ Installation can only be carried out by qualified and authorised personnel with the appropriate tools.
- ▶ Observe the installation instructions for the measuring device inserted into the holder.

Risk of injury due to an uncontrolled restart.

- ▶ Ensure that the restart of the installation is controlled after any interventions on it.



WARNING

Danger due to nonconforming commissioning.

Nonconforming commissioning may lead to injuries and damage the holder and its surroundings.

- ▶ Before commissioning, make sure that the staff in charge have read and fully understood the contents of the Operating Instructions.
- ▶ In particular, observe the safety recommendations and intended use.
- ▶ The installation must only be commissioned by suitably trained staff.

6.2. Installation of a 8200 G2" version onto an S020 fitting

! Make sure the S020 fitting used for the installation of a G2" holder is a special fitting for analysis (see the data sheets of the S020 fitting).

! Fit the fitting at an angle of $\pm 75^\circ$ max. to the vertical in order to ensure the good operation of the pH/redox probe.

→ Install the fitting in compliance with the instructions provided in the Operating Instructions.

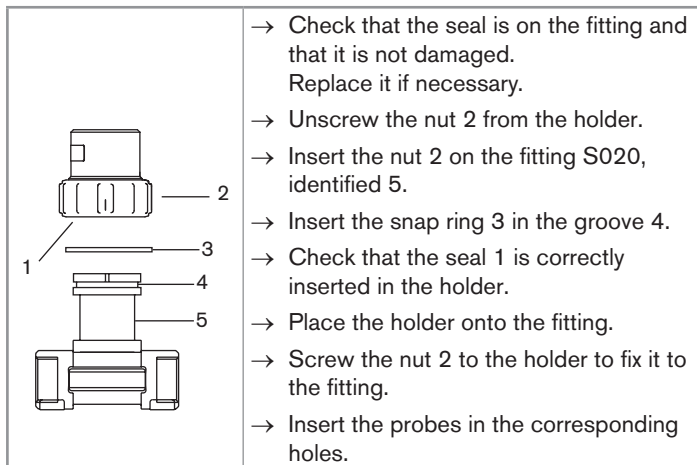


Fig. 1 : Installation of a G2" holder

6.3. Installation of a 8200 G1" version onto a Tee fitting

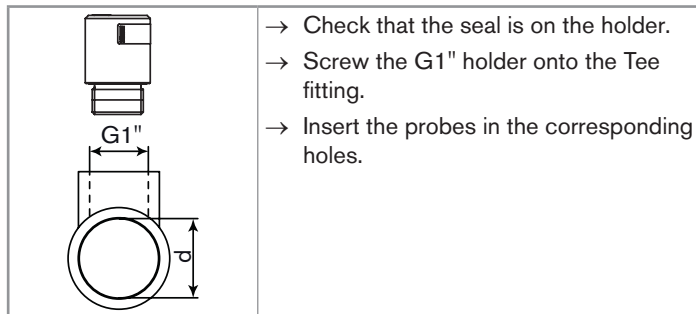


Fig. 2 : Installation of a G1" holder

6.4. Installation of a stick connection 8200 onto a Tee fitting

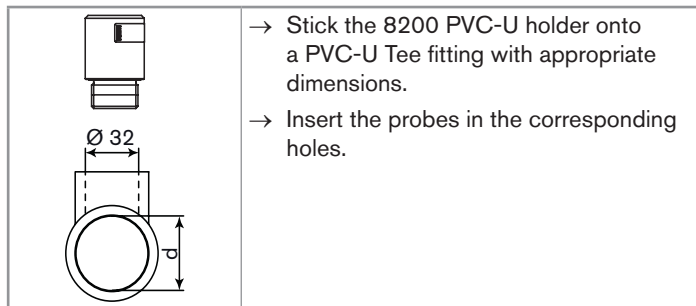


Fig. 3 : Installation of a stick holder

Type 8200

Installation, commissioning

6.5. Installation of a 8200 clamp version

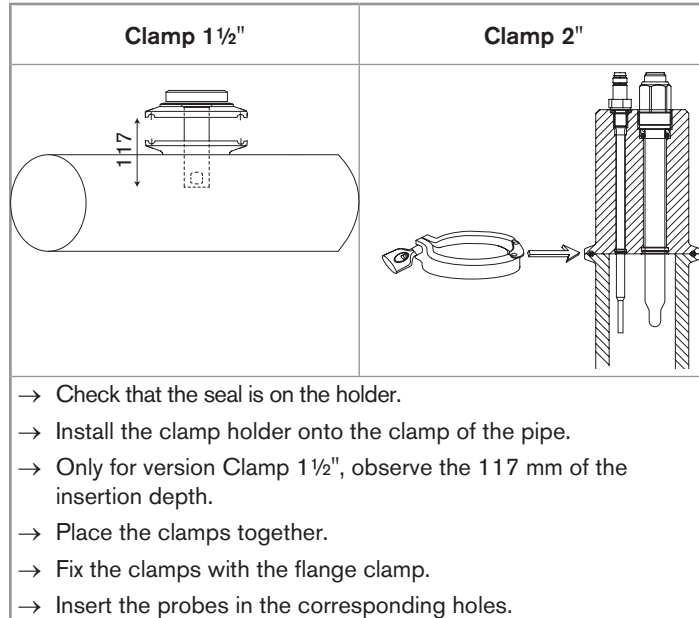


Fig. 4 : Installation of a clamp holder

6.6. Installation of a 8200 for DN50 thread process connection

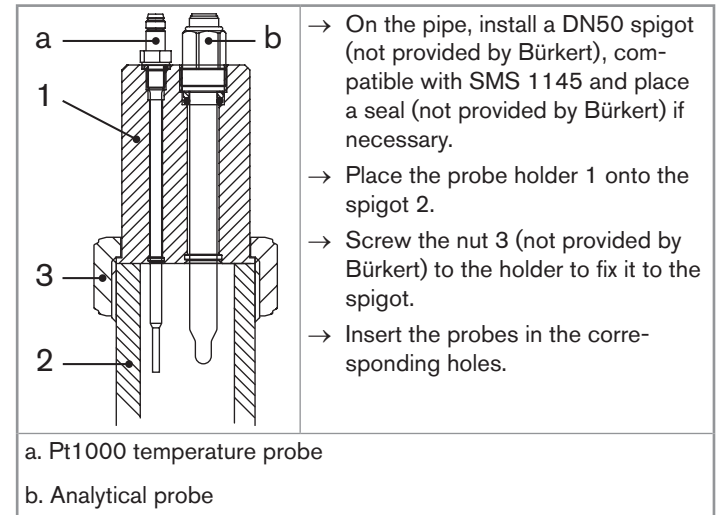


Fig. 5 : Installation of a probe holder type 8200 for DN50 thread process connection (acc. to SMS 1145)

7. MAINTENANCE AND CLEANING

7.1. Safety instructions



DANGER

Risk of injury due to high pressure in the installation.

- ▶ Stop the circulation of medium, cut-off the pressure and drain the pipe before loosening the process connections.

Risk of injury due to high medium temperatures.

- ▶ Use safety gloves to handle the holder or the adapter.
- ▶ Stop the circulation of medium and drain the pipe before loosening the process connections.
- ▶ Keep all easily flammable medium or material away from the holder or the adapter.

Risk of injury due to the nature of the medium.

- ▶ Respect the prevailing regulations on accident prevention and safety relating to the use of aggressive media.



WARNING

Risk of injury due to nonconforming maintenance.

- ▶ Maintenance must only be carried out by qualified and skilled staff with the appropriate tools.
- ▶ Ensure that the restart of the installation is controlled after any interventions.

7.2. Cleaning

NOTE

The holder may be damaged by the cleaning product.

- ▶ Clean the holder with a cloth dampened with water or a detergent compatible with the materials the holder is made of.

8. SPARE PARTS AND ACCESSORIES



ATTENTION

Risk of injury and/or damage caused by the use of unsuitable parts.

Incorrect accessories and unsuitable spare parts may cause injuries and damage the holder and the surrounding area.

- ▶ Use only original accessories and original spare parts from Bürkert.

Accessory	Order code
Set with FKM seals	429 264
Set with 1 green FKM + 1 black EPDM seal	552 111

9. PACKAGING, TRANSPORT AND STORAGE

ATTENTION

Damage due to transport

Transport may damage an insufficiently protected part.

- ▶ Transport the holder in shock-resistant packaging and away from humidity and dirt.
- ▶ Do not expose the holder to temperatures that may exceed the admissible storage temperature range.

Poor storage can damage the holder.

- ▶ Store the holder in a dry place away from dust.

Storage temperature:

- ▶ G2" PVC: 0...+50°C
- ▶ G2" stainless steel: -20...+130°C
- ▶ G1": 0...+50°C
- ▶ Clamp 1½": -10...+135°C
- ▶ Clamp 2" (ISO 2852) or for DN50 thread process connection (acc. to SMS 1145): -20...+140°C

10. DISPOSAL OF THE PRODUCT

- Dispose of the holder and its packaging in an environmentally-friendly way.

NOTE

Damage to the environment caused by parts contaminated by the medium

- ▶ Comply with the national and/or local regulations which concern the area of waste disposal.

www.burkert.com