

## Type 8220

Leitfähigkeitssensor  
Conductivity sensor  
Capteur de conductivité



## Operating Instructions

Bedienungsanleitung

Manuel d'utilisation

We reserve the right to make technical changes without notice.  
Technische Änderungen vorbehalten.  
Sous réserve de modifications techniques.

© Bürkert SAS, 2014

Operating Instructions 1411/00\_EU-ML 00273224 / Original FR

<b>1. ABOUT THE OPERATING INSTRUCTIONS</b> .....	<b>4</b>	<b>7. INSTALLATION AND WIRING</b> .....	<b>12</b>
1.1. Definition of the word "device" .....	4	7.1. Safety instructions.....	12
1.2. Symbols used .....	4	7.2. Installation on the pipe .....	13
<b>2. INTENDED USE</b> .....	<b>5</b>	7.3. Electrical wiring.....	14
<b>3. BASIC SAFETY INFORMATION</b> .....	<b>5</b>	7.3.1. Safety instructions .....	14
<b>4. GENERAL INFORMATION</b> .....	<b>7</b>	7.3.2. Technical data of the cables for the female connectors, type 2508 or type 2509 .....	14
4.1. Manufacturer's address and international contacts .....	7	7.3.3. Assembling the female connector.....	15
4.2. Warranty conditions .....	7	7.3.4. Ensuring the equipotentiality of the installation.....	15
4.3. Information on the Internet .....	7	7.3.5. Connect the device to the transmitter.....	17
<b>5. DESCRIPTION</b> .....	<b>7</b>	<b>8. COMMISSIONING</b> .....	<b>17</b>
5.1. Area of application .....	7	<b>9. MAINTENANCE AND TROUBLESHOOTING</b> .....	<b>18</b>
5.2. Construction .....	7	9.1. Safety instructions.....	18
5.3. Description of the name plate .....	8	9.2. Maintenance of the device and the conductivity sensor .....	18
5.4. Available versions.....	8	<b>10. SPARE PARTS AND ACCESSORIES</b> .....	<b>19</b>
<b>6. TECHNICAL DATA</b> .....	<b>9</b>	<b>11. TRANSPORT, STORAGE, DISPOSAL</b> .....	<b>20</b>
6.1. Conditions of use.....	9		
6.2. Conformity to standards and directives .....	9		
6.3. Mechanical data.....	9		
6.4. General data .....	11		
6.5. Sensor data.....	11		

# 1 ABOUT THE OPERATING INSTRUCTIONS

The Operating Instructions describe the entire life cycle of the device. Please keep the Operating Instructions in a safe place, accessible to all users and any new owners.

## The Operating Instructions contain important safety information.

Read the Operating Instructions from the beginning to the end. Observe in particular the chapters "[Basic safety information](#)" and "[Intended use](#)".

- ▶ The Operating Instructions must be read and understood.

## 1.1 Definition of the word "device"

The word "device" used in the Operating Instructions always refers to the conductivity sensor type 8220.

## 1.2 Symbols used



### **DANGER**

**Warns against an imminent danger.**

- ▶ Failure to observe this warning can result in death or in serious injury.



### **WARNING**

**Warns against a potentially dangerous situation.**

- ▶ Failure to observe this warning can result in serious injury or even death.



### **CAUTION**

**Warns against a possible risk.**

- ▶ Failure to observe this warning can result in substantial or minor injuries.

### **NOTE**

**Warns against material damage.**



Advice or important recommendations.



refers to information contained in the Operating Instructions or in other documents.

→ Indicates a procedure to be carried out.

## 2 INTENDED USE

**Use of the device that does not comply with the instructions could present risks to people, nearby installations and the environment.**

**The 8220 conductivity sensor is intended solely for the measurement of the conductivity of liquids.**

- ▶ This device must be used in compliance with the characteristics and commissioning and use conditions specified in the contractual documents and in the Operating Instructions.
- ▶ This device must be protected against electromagnetic interference, ultraviolet rays and, when installed outdoors, the effects of climatic conditions.
- ▶ Only use a device which is in correct operating condition.
- ▶ Store, transport, install and use the device properly.
- ▶ Only use the device as intended.

### Existing restraints

Observe any existing restraints when the device is exported.

## 3 BASIC SAFETY INFORMATION

This safety information does not take into account:

- any contingencies or occurrences that may arise during installation, use and maintenance.
- the local safety regulations for which the operating company is responsible including the staff in charge of installation.



### Danger due to electrical voltage

- ▶ Shut down the electrical power source of all the conductors and isolate it before carrying out work on the system.
- ▶ Observe all applicable accident protection and safety regulations for electrical equipment.

### Risk of injury due to high pressure in the installation.

- ▶ Stop the circulation of fluid, cut off the pressure and drain the pipe before loosening the process connections.

### Risk of injury due to high fluid temperatures.

- ▶ Use safety gloves to handle the device.
- ▶ Stop the circulation of fluid and drain the pipe before loosening the process connections.

### Risk of injury due to the nature of the fluid.

- ▶ Respect the prevailing regulations on accident prevention and safety relating to the use of hazardous products.



- ▶ Do not use this device in an explosive atmosphere.
- ▶ Do not use this device in an environment incompatible with the materials it is made of.
- ▶ Do not subject the device to mechanical loads (e.g. by placing objects on top of it or by using it as a step).
- ▶ Do not make any internal or external modifications to the device.
- ▶ Prevent any unintentional power supply switch-on.
- ▶ Guarantee a defined or controlled restarting of the process, after a power supply interruption.
- ▶ Observe the general technical rules.

#### **NOTE**

##### **The device may be damaged by the fluid in contact with.**

- Systematically check the chemical compatibility of the component materials of the device and the fluids likely to come into contact with it (for example: alcohols, strong or concentrated acids, aldehydes, alkaline compounds, esters, aliphatic compounds, ketones, halogenated aromatics or hydrocarbons, oxidants and chlorinated agents).

#### **NOTE**

##### **Elements / Components sensitive to electrostatic discharges**

- This device contains electronic components sensitive to electrostatic discharges. They may be damaged if they are touched by an electrostatically charged person or object. In the worst case scenario, these components are instantly destroyed or go out of order as soon as they are activated.
- To minimise or even avoid any damage due to an electrostatic discharge, take all the precautions described in the EN 61340-5-1 norm.
- Also ensure that you do not touch any of the live electrical components.

## **4 GENERAL INFORMATION**

### **4.1 Manufacturer's address and international contacts**

To contact the manufacturer of the device, use following address:

Bürkert SAS

Rue du Giessen

BP 21

F-67220 TRIEMBACH-AU-VAL

You may also contact your local Burkert sales office.

The addresses of our international sales offices are available on the internet at: [www.burkert.com](http://www.burkert.com)

### **4.2 Warranty conditions**

The condition governing the legal warranty is the conforming use of the device in observance of the operating conditions specified in the Operating Instructions.

### **4.3 Information on the Internet**

You can find the Operating Instructions and technical data sheets related to the type 8220 at: [www.burkert.com](http://www.burkert.com)

## **5 DESCRIPTION**

### **5.1 Area of application**

The device is intended to measure the conductivity of liquids.

The device must be connected to a transmitter (type 8619 for example).

### **5.2 Construction**

The device is made up of:

- a measuring sensor of physical quantities, made up of:
  - 2 electrodes which measure an impedance in Ohm;
  - a conductivity sensor which integrates a Pt1000 temperature probe.
- a 4-pin male fixed connector;
- a nut to fix the device to the S020 fitting.

The device does not need a separate power supply. It is energized via the remote transmitter to which it is connected.

### 5.3 Description of the name plate

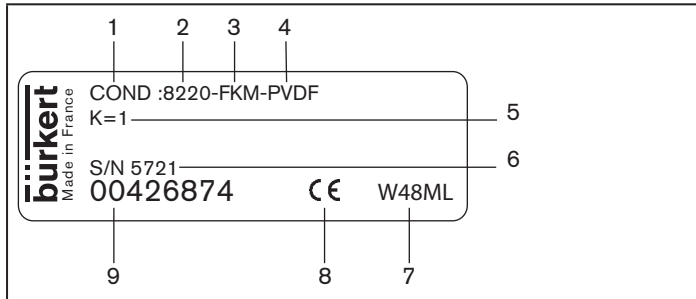


Fig. 1: Name plate of the device (example)

1. Measured quantity
2. Type of the device
3. Seal material in contact with the fluid
4. Material of the holder for the measuring sensor
5. Cell constant
6. Serial number
7. Manufacturing code
8. Conformity logo
9. Order code

### 5.4 Available versions

Measurement range	Cell constant	Materials		Electrical connections	Order code
		electrodes	seal		
0,05 $\mu\text{S}/\text{cm}$ to 20 $\mu\text{S}/\text{cm}$	K=0,01	stainless steel	FKM	4-pin male fixed connector	426872
0,5 $\mu\text{S}/\text{cm}$ to 200 $\mu\text{S}/\text{cm}$	K=0,1				426873
0,005 mS/cm to 10 mS/cm	K=1	graphite			426874
0,5 mS/cm to 200 mS/cm	K=10				426875



## 6 TECHNICAL DATA

### 6.1 Conditions of use

Ambient temperature	0 to +60°C
Air humidity	≤ 80 %, non-condensing

### 6.2 Conformity to standards and directives

The device conforms to the EC directives through the following standards:

- EMC: EN 61000-6-3, EN 61000-6-2
- Safety: EN 61010-1
- Vibration: EN 60068-2-6
- Pressure: conforms to the requirements of the article 3§3 of the Pressure Directive 97/23/EC.
- Shocks: EN 60068-2-27

Acc. to pressure directive 97/23/EC, the device can only be used in the following cases (depending on the max. pressure, the DN of the pipe and the fluid):

Type of fluid	Conditions
Fluid group 1 § 1.3.a	Only DN 25
Fluid group 2 § 1.3.a	DN ≤ 32 or DN > 32 and PN*DN ≤ 1000
Fluid group 1 § 1.3.b	DN ≤ 200
Fluid group 2 § 1.3.b	DN ≤ 200

### 6.3 Mechanical data

Element	Material
Housing	PC
Screw of the connector type 2508	stainless steel
Connector type 2508	PA
Measuring sensor holder	PVDF
Pt 1000	stainless steel 1.4571 (316 Ti)
Electrodes	<ul style="list-style-type: none"> <li>▪ sensor K=1 or K=10</li> <li>▪ sensor K=0,1 or K=0,01</li> </ul>
	<ul style="list-style-type: none"> <li>▪ graphite</li> <li>▪ stainless steel 1.4571 (316 Ti)</li> </ul>

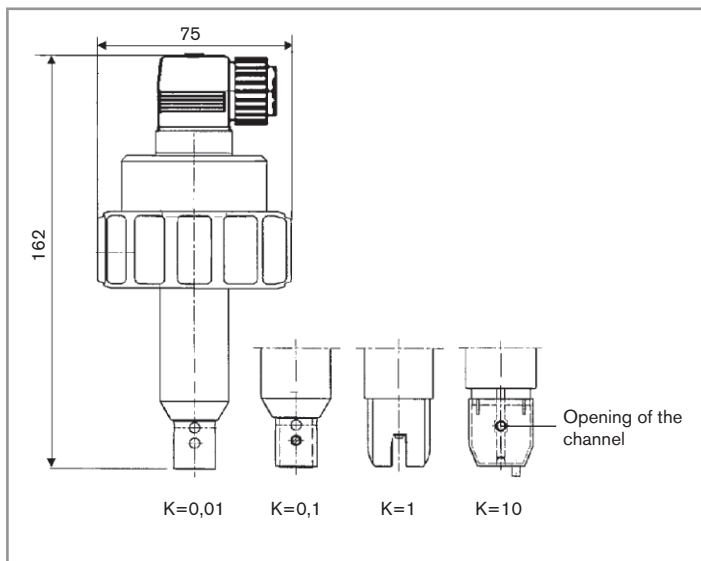





Fig. 2: Dimensions of the device [mm]

Tab. 1: Dimension H of the 8220 inserted in a S020 fitting

	 T fitting	 Spigot, in plastic, for analysis device	 Welding tab with radius, in stainless steel
DN15	156	-	-
DN20	154	-	-
DN25	154	-	-
DN32	157	-	-
DN40	161	-	-
DN50	167	-	163
DN65	167	167	167
DN80	-	174	173
DN100	-	184	184
DN125	-	-	195
DN150	-	-	206
DN200	-	-	226

## 6.4 General data

Pipe diameter	DN15 to DN200
Process connection	S020 fitting for analysis purposes
Fluid pressure	PN 10 Fluid temperature and material of the fitting S020 used, can limit the max. admissible pressure of the fluid (see Fig. 3)
Fluid temperature	Fluid pressure and material of the fitting S020 used, can limit the max. admissible temperature of the fluid (see Fig. 3)
Conductivity measurement	
▪ Measurement range	▪ 0,05 $\mu\text{S}/\text{cm}$ to 200 $\text{mS}/\text{cm}$
▪ Measurement deviation	▪ typical: $\pm 3\%$ of the MV.* max.: $\pm 5\%$ of the MV.*
Temperature probe	Pt 1000 integrated in the measuring sensor
Temperature measurement	
▪ Measurement range	▪ $-50$ to $+150^\circ\text{C}$
▪ Measurement deviation	▪ $\pm 1^\circ\text{C}$

\* of the MV. = of the measured value

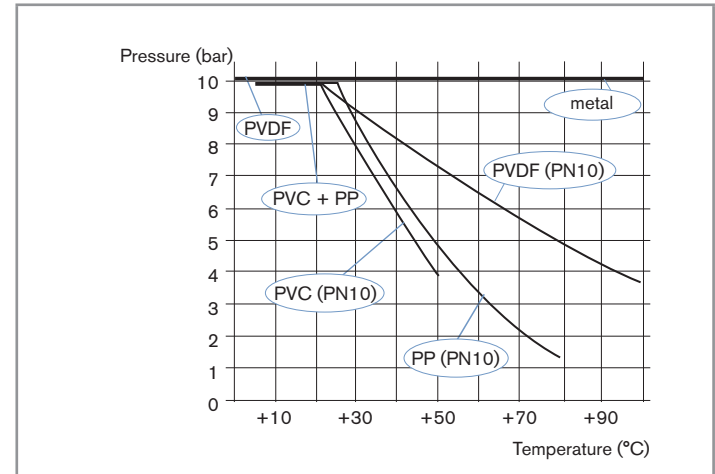


Fig. 3: Dependency between fluid pressure and fluid temperature, for the 8220 inserted in a S020 fitting, depending on the material of the S020 fitting

## 6.5 Sensor data

Sensor K=0,01

- |                     |                                      |
|---------------------|--------------------------------------|
| ▪ Measurement range | ▪ 0,05 to 20 $\mu\text{S}/\text{cm}$ |
| ▪ Type of fluid     | ▪ ultra pure water, pure water       |

Sensor K=0,1	<ul style="list-style-type: none"> <li>▪ Measurement range</li> <li>▪ Type of fluid</li> </ul>	<ul style="list-style-type: none"> <li>▪ 0,5 to 200 <math>\mu\text{S}/\text{cm}</math></li> <li>▪ pure water, industrial water</li> </ul>
Sensor K=1	<ul style="list-style-type: none"> <li>▪ Measurement range</li> <li>▪ Type of fluid</li> </ul>	<ul style="list-style-type: none"> <li>▪ 0,005 to 10 <math>\text{mS}/\text{cm}</math></li> <li>▪ industrial water, waste water</li> </ul>
Sensor K=10	<ul style="list-style-type: none"> <li>▪ Measurement range</li> <li>▪ Type of fluid</li> </ul>	<ul style="list-style-type: none"> <li>▪ 0,5 to 200 <math>\text{mS}/\text{cm}</math></li> <li>▪ waste water, concentrated solution</li> </ul>

## 7 INSTALLATION AND WIRING

### 7.1 Safety instructions



#### **DANGER**

##### **Danger due to electrical voltage**

- ▶ Shut down the electrical power source of all the conductors and isolate it before carrying out work on the system.
- ▶ Observe all applicable accident protection and safety regulations for electrical equipment.

##### **Risk of injury due to high pressure in the installation.**

- ▶ Stop the circulation of fluid, cut off the pressure and drain the pipe before loosening the process connections.

##### **Risk of injury due to high fluid temperatures.**

- ▶ Use safety gloves to handle the device.
- ▶ Stop the circulation of fluid and drain the pipe before loosening the process connections.

##### **Risk of injury due to the nature of the fluid.**

- ▶ Respect the prevailing regulations on accident prevention and safety relating to the use of hazardous products.

**WARNING****Risk of injury due to non-conforming installation.**

- ▶ The electrical and fluid installation can only be carried out by qualified and skilled staff with the appropriate tools.
- ▶ Observe the NF C 15-100 / IEC 60364 norm.
- ▶ Observe mounting instructions of the fitting.
- ▶ Protect the installation against unintentional power supply switch-on.
- ▶ Guarantee a set or controlled restarting of the process subsequent to any intervention on the device.

**WARNING****Risk of injury if the dependency between the fluid pressure and the fluid temperature is not respected.**

- ▶ Take account of the dependency between the fluid pressure and the fluid temperature, according to the materials the fitting is made of (see Fig. 3, page 11).
- ▶ Comply with the Pressure Equipment Directive 97/23/EC.



Protect this device against electromagnetic interference, ultraviolet rays and, when installed outdoors, the effects of the climatic conditions.

## 7.2 Installation on the pipe

The device can be installed on a pipe using a fitting type S020 (see Fig. 4 et Fig. 5).

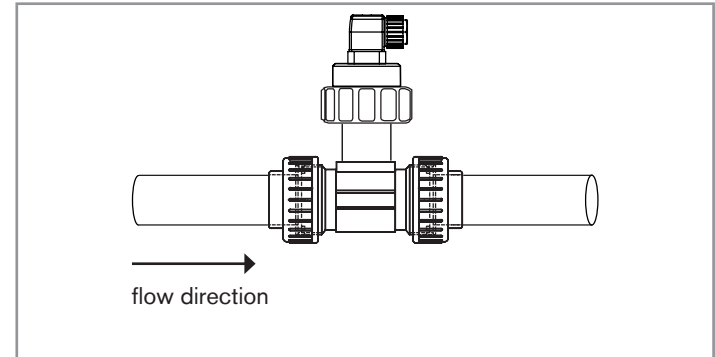


Fig. 4: Mounting position of the fitting-device system in the pipe

- Install the conductivity sensor on a horizontal pipe and position the connector upwards.
- Install preferably the device upstream an instrument generating turbulences such as a valve.

- Install the fitting (mark 5) on the pipe acc. to the Operating Instructions of the fitting used and acc. to the [Fig. 4](#).
- Check that the seal (mark 6) is on the conductivity sensor.
- Insert the nut (mark 3) on the fitting.
- Insert the snap ring (mark 2) in the groove (mark 4).
- With a cell constant  $K=10$ , point the opening of the channel (see [Fig. 2 chap. 6.3](#)) in the direction of the fluid.
- Slowly push the device in the fitting. If the mounting is correctly done the device cannot be turned around anymore.
- Hand thighten the nut to lock the assembly.

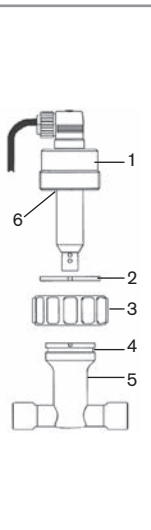


Fig. 5: Installation of the 8220 on the S020 fitting

## 7.3 Electrical wiring

### 7.3.1 Safety instructions



#### **DANGER**

##### **Risk of injury due to electrical discharge**

- ▶ Shut down the electrical power source of all the conductors and isolate it before carrying out work on the system.
- ▶ Observe all applicable accident protection and safety regulations for electrical equipment.



- Use a filtered and stable power supply.
- Do not install the cable near high voltage or high frequency cables. If this cannot be avoided, observe a min. distance of 30 cm.

### 7.3.2 Technical data of the cables for the female connectors, type 2508 or type 2509

Cable technical data	Recommended
Electromagnetic protection (EMC)	shielded
Maximal length	10 m
Diameter	5...8 mm
Operating temperature	minimum 80 °C

Cable technical data	Recommended
Number of wires	4
Cross section of the wires	0,25 to 1,5 mm <sup>2</sup>

### 7.3.3 Assembling the female connector

- Loosen the nut [1] of the cable gland.
- Remove the terminal block [3] from the housing [2].
- Insert the cable in the nut [1], in the seal [4], in the cable gland and in the housing [2].
- Connect the 4 conductors to the terminal block [3].
- Position the terminal block [3] in steps of 90° then put it back in the housing [2], pulling gently on the cable so that the wires do not clutter the housing.
- Tighten the nut [1] of the cable gland.

- Put the seal [5] between the connector and the fixed connector on the device and then plug the 2508 connector into the fixed connector.
- Insert and then tighten the screw [6] to ensure tightness and correct electrical contact.

Fig. 6: Assembling the female connector type 2508 (supplied)

### 7.3.4 Ensuring the equipotentiality of the installation

To ensure the equipotentiality of the installation (power supply - device - fluid):

- Connect the different earth points to one another of the installation to eliminate the potential differences that may occur between themselves.
- Connect the negative terminal of the power supply to the earth to eliminate the common mode currents. If direct earthing is not possible insert a 100 nF / 50 V-capacitor between the negative terminal and the earth.
- When the device is installed on plastic pipes, connect to the same earth the different metal instruments such as a valve or a pump that are the closest possible to the device.
- If no such instrument is near the device, insert metal earthing rings inside the plastic pipes upstream and downstream the device and connect them to the same earth.
- Put the earthing rings in contact with the fluid.

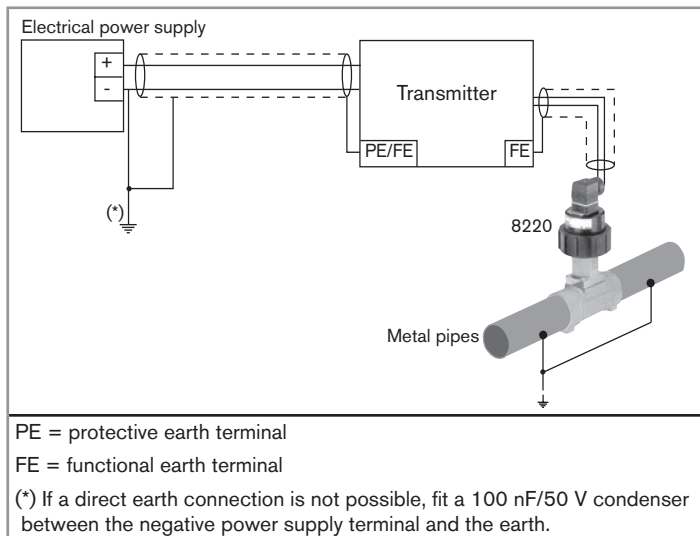


Fig. 7: Equipotentiality of the installation with metal pipes

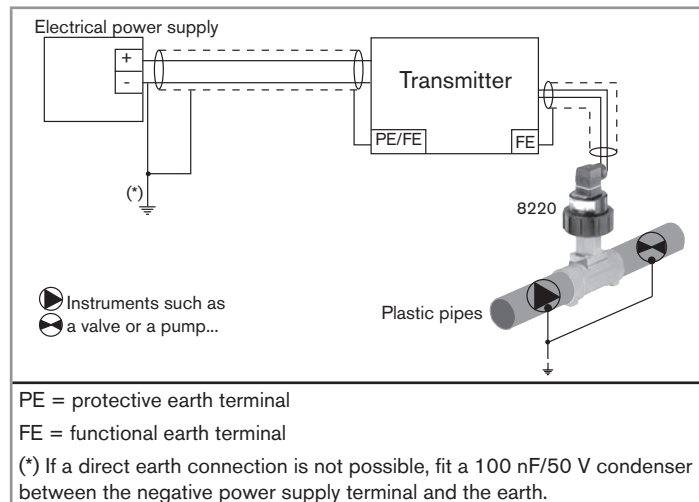


Fig. 8: Equipotentiality of the installation with plastic pipes



### 7.3.5 Connect the device to the transmitter

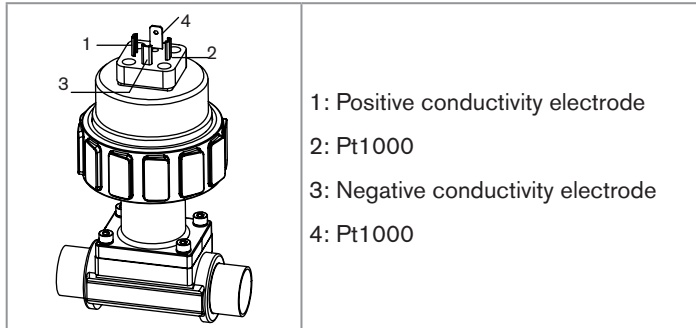


Fig. 9: Pin assignment of the fixed connector

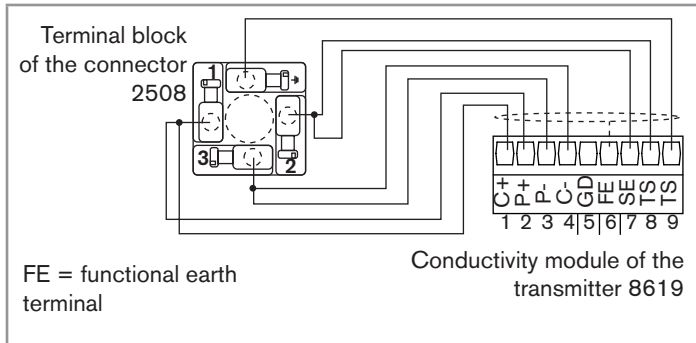


Fig. 10: Connection example of the 8220 to the transmitter 8619

## 8 COMMISSIONING



### WARNING

#### Risk of injury due to non-conforming commissioning.

Non-conforming commissioning could lead to injuries and damage the device and its surroundings.

- ▶ The staff in charge of commissioning must have read and understood the contents of the Operating Instructions.
- ▶ In particular, observe the safety recommendations and intended use.
- ▶ The device / the installation must only be commissioned by suitably trained staff.

→ Before commissioning, set the cell constant in the appropriate parameter menu of the remote transmitter. Refer to the Operating Instructions of the transmitter used.

## 9 MAINTENANCE AND TROUBLESHOOTING

### 9.1 Safety instructions



#### **DANGER**

##### **Danger due to electrical voltage**

- ▶ Shut down the electrical power source of all the conductors and isolate it before carrying out work on the system.
- ▶ Observe all applicable accident protection and safety regulations for electrical equipment.

##### **Risk of injury due to high pressure in the installation.**

- ▶ Stop the circulation of fluid, cut off the pressure and drain the pipe before loosening the process connections.

##### **Risk of injury due to high fluid temperatures.**

- ▶ Use safety gloves to handle the device.
- ▶ Stop the circulation of fluid and drain the pipe before loosening the process connections.

##### **Risk of injury due to the nature of the fluid.**

- ▶ Respect the prevailing regulations on accident prevention and safety relating to the use of hazardous products.



#### **WARNING**

##### **Risk of injury due to non-conforming maintenance.**

- ▶ Maintenance must only be carried out by qualified and skilled staff with the appropriate tools.
- ▶ Ensure that the restart of the installation is controlled after any interventions.

### 9.2 Maintenance of the device and the conductivity sensor



- Do not scratch the sensor surface while cleaning it.
- Store the sensor in a dry place.

Clean the device with a cloth slightly dampened with water or a cleaning liquid compatible with the materials the device is made of.

→ Check regularly that the conductivity sensor is clean and clean it with water if necessary.

Please feel free to contact your Bürkert supplier for any additional information.

## 10 SPARE PARTS AND ACCESSORIES



### CAUTION

**Risk of injury and/or material damage caused by the use of unsuitable parts.**

Incorrect accessories and unsuitable replacement parts may cause injuries and damage the device and the surrounding area.

- ▶ Use only original accessories and original spare parts from Bürkert.

Spare parts (Fig. 11)	Order code
Set with 1 FKM green seal (mark 5) + 1 EPDM black seal (mark 5)	552111
Snap ring (mark 3)	619205
Nut (mark 4)	619204

Accessories (Fig. 11)	Order code
4-pin female connector, with cable gland (type 2508) (mark 1)	438811
4-pin female connector, with reduction NPT 1/2" (type 2509) (mark 2)	162673

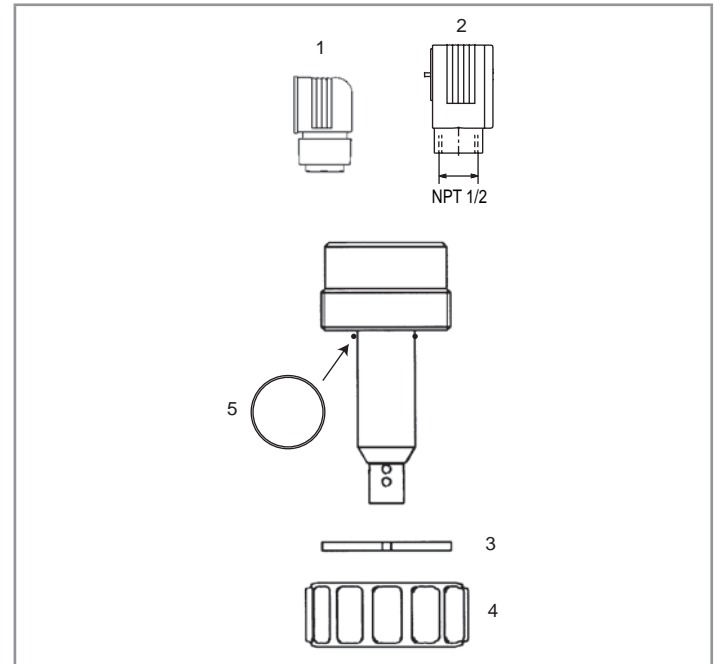


Fig. 11: Exploded view of the conductivity sensor type 8220

## 11 TRANSPORT, STORAGE, DISPOSAL

### NOTE

#### **Damage due to transport**

Transport may damage an insufficiently protected device.

- Transport the device in shock-resistant packaging and away from humidity and dirt.
- Do not expose the device to temperatures that may exceed the admissible storage temperature range.
- Protect the electrical interfaces using protective plugs.

#### **Poor storage can damage the device.**

- Store the device in a dry place away from dust.
- Device storage temperature: 0 to +60 °C.

#### **Damage to the environment caused by products contaminated by the fluid.**

- Dispose of the device and its packaging in an environmentally-friendly way.
- Comply with the national and/or local regulations which concern the area of waste disposal.

<b>1. DIE BEDIENUNGSANLEITUNG .....</b>	<b>4</b>	<b>7. INSTALLATION UND VERKABELUNG .....</b>	<b>12</b>
1.1. Begriffsdefinition "Gerät" .....	4	7.1. Sicherheitshinweise .....	12
1.2. Darstellungsmittel .....	4	7.2. Installation auf der Rohrleitung.....	13
<b>2. BESTIMMUNGSGEMÄSSE VERWENDUNG.....</b>	<b>5</b>	7.3. Verkabelung.....	14
<b>3. GRUNDLEGENDE SICHERHEITSHINWEISE.....</b>	<b>5</b>	7.3.1. Sicherheitshinweise.....	14
<b>4. ALLGEMEINE HINWEISE.....</b>	<b>7</b>	7.3.2. Merkmale der Kabel für die Buchse Typ 2508 oder Typ 2509 .....	14
4.1. Kontaktadressen .....	7	7.3.3. Buchse montieren.....	15
4.2. Gewährleistung.....	7	7.3.4. Potentialausgleich der Installation gewährleisten.....	15
4.3. Informationen im Internet.....	7	7.3.5. Das Gerät an den Transmitter anschliessen.....	17
<b>5. BESCHREIBUNG.....</b>	<b>7</b>	<b>8. INBETRIEBNAHME.....</b>	<b>17</b>
5.1. Vorgesehener Einsatzbereich.....	7	<b>9. WARTUNG, FEHLERBEHEBUNG.....</b>	<b>18</b>
5.2. Aufbau.....	7	9.1. Sicherheitshinweise .....	18
5.3. Beschreibung des Typschilds .....	8	9.2. Reinigung des Geräts und des Leitfähigkeitssensors.....	18
5.4. Verfügbare Versionen.....	8	<b>10. ERSATZTEILE UND ZUBEHÖR.....</b>	<b>19</b>
<b>6. TECHNISCHE DATEN .....</b>	<b>9</b>	<b>11. TRANSPORT, LAGERUNG, ENTSORGUNG .....</b>	<b>20</b>
6.1. Betriebsbedingungen .....	9		
6.2. Einhaltung von Normen und Richtlinien.....	9		
6.3. Mechanische Daten .....	9		
6.4. Allgemeine Daten.....	11		
6.5. Sensordaten .....	11		

## 1 DIE BEDIENUNGSANLEITUNG

Die Bedienungsanleitung beschreibt den gesamten Lebenszyklus des Geräts. Bewahren Sie diese Anleitung so auf, dass sie für jeden Benutzer zugänglich ist und jedem neuen Eigentümer des Geräts wieder zur Verfügung steht.

### Diese Bedienungsanleitung enthält wichtige Informationen zur Sicherheit!

Lesen Sie die Bedienungsanleitung sorgfältig durch. Beachten Sie vor allem die Kapitel "Grundlegende Sicherheitshinweise" und "Bestimmungsgemäße Verwendung".

- ▶ Diese Bedienungsanleitung muss gelesen und verstanden werden.

### 1.1 Begriffsdefinition "Gerät"

Der in dieser Anleitung verwendete Begriff "Gerät" steht immer für den Leitfähigkeits-Sensor Typ 8220.

### 1.2 Darstellungsmittel

#### **GEFAHR!**

##### Warnt vor einer unmittelbaren Gefahr!

- ▶ Bei Nichtbeachtung sind Tod oder schwere Verletzungen die Folge.



#### **WARNUNG!**

##### Warnt vor einer möglicherweise gefährlichen Situation!

- ▶ Bei Nichtbeachtung drohen schwere Verletzungen oder Tod.



#### **ACHTUNG!**

##### Warnt vor einer möglichen Gefährdung!

- ▶ Nichtbeachtung kann mittelschwere oder leichte Verletzungen zur Folge haben.

#### **HINWEIS**

##### Warnt vor Sachschäden!



Wichtige Tipps und Empfehlungen.



verweist auf Informationen in dieser Bedienungsanleitung oder in anderen Dokumentationen.

→ markiert einen Arbeitsschritt, den Sie ausführen müssen.

## 2 BESTIMMUNGSGEMÄSSE VERWENDUNG

Bei nicht bestimmungsgemäßem Einsatz des Geräts können Gefahren für Personen, Anlagen in der Umgebung und die Umwelt entstehen.

Der Leitfähigkeits-Sensor Typ 8220 darf nur zur Messung der Leitfähigkeit einer Flüssigkeit eingesetzt werden.

- ▶ Für den Einsatz sind die in den Vertragsdokumenten und der Bedienungsanleitung spezifizierten zulässigen Daten, Betriebs- und Einsatzbedingungen zu beachten.
- ▶ Protéger cet appareil contre les perturbations électromagnétiques, les rayons ultraviolets et, lorsqu'il est installé à l'extérieur, des effets des conditions climatiques.
- ▶ Das Gerät nur in einwandfreiem Zustand betreiben.
- ▶ Auf sachgerechte Lagerung, Transport, Installation und Bedienung des Geräts achten.
- ▶ Das Gerät nur bestimmungsgemäß einsetzen.

### Bestehende Beschränkungen

Beachten Sie bei der Ausfuhr des Geräts gegebenenfalls bestehende Beschränkungen.

## 3 GRUNDLEGENDE SICHERHEITSHINWEISE

Diese Sicherheitshinweise berücksichtigen keine

- Zufälligkeiten und Ereignisse, die bei Montage, Betrieb und Wartung auftreten können.
- ortsbezogenen Sicherheitsbestimmungen, für deren Einhaltung, auch in Bezug auf das Montagepersonal, der Betreiber verantwortlich ist.



### Risque de blessure dû à la tension électrique

- ▶ Schalten Sie vor Beginn der Arbeiten in jedem Fall alle existierenden am Gerät angeschlossenen Spannungs-Versorgungen ab, und sichern Sie diese vor unbeabsichtigtem Wiedereinschalten!
- ▶ Beachten Sie die geltenden Unfallverhütungs- und Sicherheitsbestimmungen für elektrische Geräte!

### Verletzungsgefahr durch hohen Druck in der Anlage!

- ▶ Vor dem Lösen der Prozessanschlüsse die Flüssigkeitszirkulation stoppen, die Anlage druckfrei schalten und die Rohrleitung leer laufen lassen.

### Verletzungsgefahr durch hohe Flüssigkeitstemperaturen!

- ▶ Das Gerät nur mit Schutzhandschuhen anfassen.
- ▶ Vor dem Lösen der Prozessanschlüsse die Flüssigkeitszirkulation stoppen und die Rohrleitung leer laufen lassen.

### Verletzungsgefahr aufgrund der Art der Flüssigkeit!

- ▶ Beachten Sie die Regeln, die auf dem Gebiet der Unfallverhütung und der Sicherheit in Kraft sind und die sich auf die Verwendung gefährlicher Produkte beziehen.



- ▶ Das Gerät nicht in explosionsgefährdeten Bereichen einsetzen.
- ▶ Das Gerät nicht in einer Umgebung verwenden, die mit den Materialien, aus denen es besteht, inkompatibel ist.
- ▶ Das Gerät nicht mechanisch belasten (z. B. durch Ablage von Gegenständen oder als Trittstufe).
- ▶ Am Gerät keine inneren oder äußeren Veränderungen vornehmen.
- ▶ Die Anlage vor unbeabsichtigter Betätigung sichern.
- ▶ Nach Unterbrechung der elektrischen Versorgung für einen kontrollierten Wiederanlauf des Prozesses sorgen.
- ▶ Die allgemeinen Regeln der Technik einhalten.

## HINWEIS

**Das Gerät kann durch das Medium beschädigt werden.**

- **Kontrollieren Sie systematisch die chemische Verträglichkeit der Werkstoffe, aus denen das Gerät besteht, und der Flüssigkeiten, die mit diesem in Berührung kommen können (zum Beispiel: Alkohole, starke oder konzentrierte Säuren, Aldehyde, Basen, Ester, aliphatische Verbindungen, Ketone, aromatische oder halogenierte Kohlenwasserstoffe, Oxidations- bzw. chlorhaltige Mittel).**

## HINWEIS

### **Elektrostatisch gefährdete Bauelemente / Baugruppen!**

- Das Gerät enthält elektronische Bauelemente, die gegen elektrostatische Entladung (ESD) empfindlich reagieren. Berührung mit elektrostatisch aufgeladenen Personen oder Gegenständen gefährdet diese Bauelemente. Im schlimmsten Fall werden sie sofort zerstört oder fallen nach der Inbetriebnahme aus.
- Die Anforderungen nach EN 61340-5-1 beachten, um die Möglichkeit eines Schadens durch schlagartige elektrostatische Entladung zu minimieren bzw. zu vermeiden!
- Elektronische Bauelemente nicht bei anliegender Versorgungsspannung berühren!



## 4 ALLGEMEINE HINWEISE

### 4.1 Kontaktadressen

Der Hersteller des Geräts kann unter folgender Adresse benachrichtigt werden:

Bürkert SAS

Rue du Giessen

BP 21

F-67220 TRIEMBACH-AU-VAL

oder wenden Sie sich an Ihr lokal zuständiges Vertriebsbüro von Bürkert.

Die internationalen Kontaktadressen finden Sie im Internet unter: [www.burkert.com](http://www.burkert.com)

### 4.2 Gewährleistung

Voraussetzung für die Gewährleistung ist der bestimmungsgemäße Gebrauch des Geräts unter Beachtung der spezifizierten Einsatzbedingungen.

### 4.3 Informationen im Internet

Bedienungsanleitungen und Datenblätter zum Typ 8220 finden Sie im Internet unter: [www.buerkert.de](http://www.buerkert.de)

## 5 BESCHREIBUNG

### 5.1 Vorgesehener Einsatzbereich

Das Gerät dient zur Messung der Leitfähigkeit in Flüssigkeiten.

Das Gerät muss an ein Transmitter (z.B Typ 8619) angeschlossen werden.

### 5.2 Aufbau

Das Gerät besteht aus

- einem Messsensor von Prozessgrößen, der aus folgenden Teilen besteht:
  - 2 Elektroden, die eine Impedanz in Ohm messen;
  - einem Leitfähigkeitssensor, der einen Pt1000-Temperaturfühler integriert.
- einem 4-poligen Gerätestecker;
- einer Überwurfmutter zur Befestigung des Geräts an das Fitting Typ S020.

Das Gerät benötigt keine eigene Spannungsversorgung. Es wird durch den angeschlossenen Transmitter mit Strom versorgt.

### 5.3 Beschreibung des Typschilds

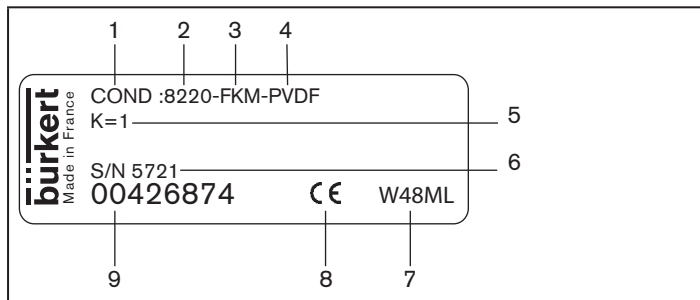


Bild 1: Typschild des Geräts (Beispiel)

1. Messgröße
2. Typ des Geräts
3. Werkstoff der Dichtung in Kontakt mit der Flüssigkeit
4. Werkstoff des Messsensor-Gehäuses
5. Zellkonstante
6. Seriennummer
7. Konstruktionscode
8. Konformitäts-Logo
9. Bestell-Nummer

### 5.4 Verfügbare Versionen

Messbereich	Zellkonstante	Werkstoffe		Elektrische Anschlüsse	Bestell-Nummer
		Elektroden	Dichtung		
0,05 $\mu\text{S/cm}$ bis 20 $\mu\text{S/cm}$	K=0,01	Edelstahl	FKM	4-poliger Geräte- stecker	426872
0,5 $\mu\text{S/cm}$ bis 200 $\mu\text{S/cm}$	K=0,1				426873
0,005 mS/cm bis 10 mS/cm	K=1	Graphit	426874		
0,5 mS/cm bis 200 mS/cm	K=10		426875		

## 6 TECHNISCHE DATEN

### 6.1 Betriebsbedingungen

Umgebungstemperatur	0 bis +60°C
Luftfeuchtigkeit	< 80 %, nicht kondensierend

### 6.2 Einhaltung von Normen und Richtlinien

Durch folgende Normen wird die Konformität des Geräts mit den EG-Richtlinien erfüllt:

- EMV: 61000-6-3, EN 61000-6-2
- Sicherheit: EN 61010-1.
- Vibration: EN 60068-2-6
- Druck: Gemäß Artikel 3§3 der 97/23/EG Druckgeräterichtlinie.
- Schock: EN 60068-2-27

Gemäß der Druckgeräterichtlinie 97/23/EG darf das Gerät (in Abhängigkeit vom Höchstdruck, dem DN der Rohrleitung und der Art der Flüssigkeit) nur in den folgenden Fällen verwendet werden:

Typ der Flüssigkeit	Voraussetzungen
Flüssigkeitsgruppe 1 Kap. 1.3.a	nur DN 25
Flüssigkeitsgruppe 2 Kap. 1.3.a	DN ≤ 32 oder DN > 32 und PNxDN ≤ 1000
Flüssigkeitsgruppe 1 Kap. 1.3.b	DN ≤ 200
Flüssigkeitsgruppe 2 Kap. 1.3.b	DN ≤ 200

### 6.3 Mechanische Daten

Teil	Werkstoff
Gehäuse	PC
Schraube der Buchse Typ 2508	Edelstahl
Buchse Typ 2508	PA
Gehäuse des Messensors	PVDF
Pt 1000	Edelstahl 1.4571 (316 Ti)
Elektroden	<ul style="list-style-type: none"> <li>▪ Sensor K=1 oder K=10</li> <li>▪ Sensor K=0,1 oder K=0,01</li> </ul>
	<ul style="list-style-type: none"> <li>▪ Graphit</li> <li>▪ Edelstahl 1.4571 (316 Ti)</li> </ul>

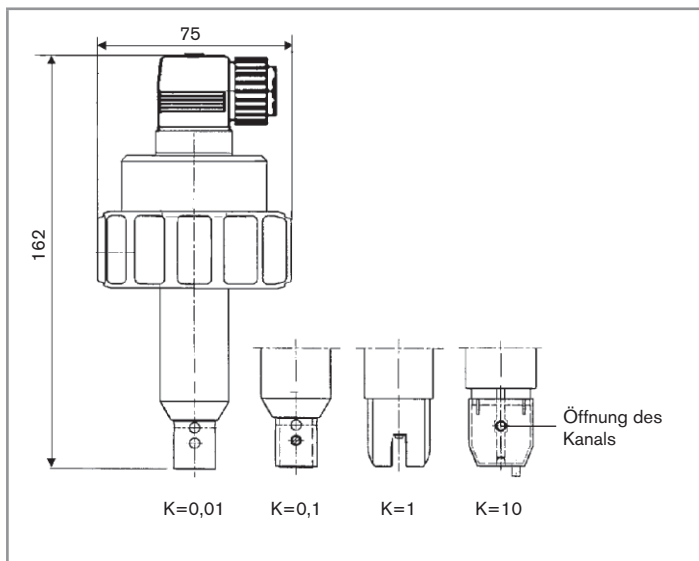
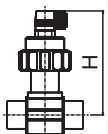



Bild 2: Abmessungen des Geräts [mm]

Tab. 1: Abmessung H des in einem Fitting Typ S020 eingesteckten 8220

	 T-Fitting	 Klebe- oder Schweißstutzen aus Kunststoff, für Analyse-Geräte	 Edelstahl-Schweißstutzen mit Radius, aus Edelstahl
DN15	156	-	-
DN20	154	-	-
DN25	154	-	-
DN32	157	-	-
DN40	161	-	-
DN50	167	-	163
DN65	167	167	167
DN80	-	174	173
DN100	-	184	184
DN125	-	-	195
DN150	-	-	206
DN200	-	-	226

## 6.4 Allgemeine Daten

DN der Rohrleitung	DN15 bis DN200
Prozessanschluss	Analyse-Fitting Typ S020
Druck der Flüssigkeit	PN 10 Der maximale Flüssigkeitsdruck kann durch die Flüssigkeitstemperatur und den Werkstoff des verwendeten Fittings S020 eingeschränkt sein (siehe Bild 3)
Flüssigkeitstemperatur	Die maximale Flüssigkeitstemperatur kann durch den Flüssigkeitsdruck und den Werkstoff des verwendeten Fittings S020 eingeschränkt sein (siehe Bild 3)
Messung der Leitfähigkeit	<ul style="list-style-type: none"> <li>Messbereich</li> <li>Messabweichung</li> </ul>
Temperaturfühler	Pt 1000, im Messsensor integriert
Messung der Temperatur	<ul style="list-style-type: none"> <li>Messbereich</li> <li>Messabweichung</li> </ul>

\* des MW = des Messwertes

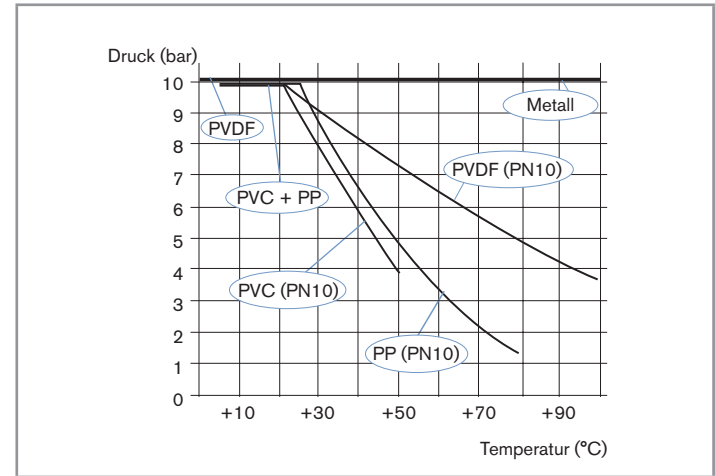


Bild 3: Abhängigkeit zwischen Flüssigkeits-Druck und Flüssigkeits-Temperatur für einen 8220 mit einem Fitting S020, je nach Werkstoff des verwendeten Fittings

## 6.5 Sensordaten

Sensor K=0,01

- |  |   |
|--|---|
| <ul style="list-style-type: none"> <li>Messbereich</li> <li>Typ der Flüssigkeit</li> </ul> | <ul style="list-style-type: none"> <li>0,05 bis 20 <math>\mu</math>S/cm</li> <li>Reinstwasser, reines Wasser</li> </ul> |
|--|---|

Sensor K=0,1	<ul style="list-style-type: none"> <li>▪ Messbereich</li> <li>▪ Typ der Flüssigkeit</li> </ul>	<ul style="list-style-type: none"> <li>▪ 0,5 bis 200 <math>\mu\text{S}/\text{cm}</math></li> <li>▪ reines Wasser, industrielles Wasser</li> </ul>
Sensor K=1	<ul style="list-style-type: none"> <li>▪ Messbereich</li> <li>▪ Typ der Flüssigkeit</li> </ul>	<ul style="list-style-type: none"> <li>▪ 0,005 bis 10 <math>\text{mS}/\text{cm}</math></li> <li>▪ industrielles Wasser, Abwasser</li> </ul>
Sensor K=10	<ul style="list-style-type: none"> <li>▪ Messbereich</li> <li>▪ Typ der Flüssigkeit</li> </ul>	<ul style="list-style-type: none"> <li>▪ 0,5 bis 200 <math>\text{mS}/\text{cm}</math></li> <li>▪ Abwasser, konzentrierte Lösung</li> </ul>

## 7 INSTALLATION UND VERKABELUNG

### 7.1 Sicherheitshinweise



#### GEFAHR!

##### **Verletzungsgefahr durch elektrische Spannung!**

- ▶ Schalten Sie vor Beginn der Arbeiten in jedem Fall alle existierenden am Gerät angeschlossenen Spannungs-Versorgungen ab, und sichern Sie diese vor unbeabsichtigtem Wiedereinschalten!
- ▶ Die geltenden Unfallverhütungs- und Sicherheitsbestimmungen für elektrische Geräte beachten!

##### **Verletzungsgefahr durch hohen Druck in der Anlage!**

- ▶ Vor dem Lösen der Prozessanschlüsse die Flüssigkeitszirkulation stoppen, die Anlage druckfrei schalten und die Rohrleitung leer laufen lassen.

##### **Verletzungsgefahr durch hohe Flüssigkeitstemperaturen!**

- ▶ Das Gerät nur mit Schutzhandschuhen anfassen.
- ▶ Vor dem Lösen der Prozessanschlüsse die Flüssigkeitszirkulation stoppen und die Rohrleitung leer laufen lassen.

##### **Verletzungsgefahr aufgrund der Art der Flüssigkeit!**

- ▶ Die geltenden Unfallverhütungs- und Sicherheitsbestimmungen bei der Verwendung gefährlicher Produkte beachten!



**WARNUNG!**

**Verletzungsgefahr bei unsachgemäßer Installation!**

- ▶ Fluidische und elektrische Installationen dürfen nur durch autorisiertes Fachpersonal und mit geeignetem Werkzeug durchgeführt werden!
- ▶ Die Anforderungen nach NF C 15-100 / IEC 60364 beachten.
- ▶ Die Installationshinweise des Fittings beachten.
- ▶ Anlage vor unbeabsichtigtem Betätigen sichern.
- ▶ Nach jedem Eingriff am Gerät einen kontrollierten Wiederanlauf gewährleisten.



**WARNUNG!**

**Verletzungsgefahr durch Nichteinhalten der Druck-Temperatur-Abhängigkeit der Flüssigkeit.**

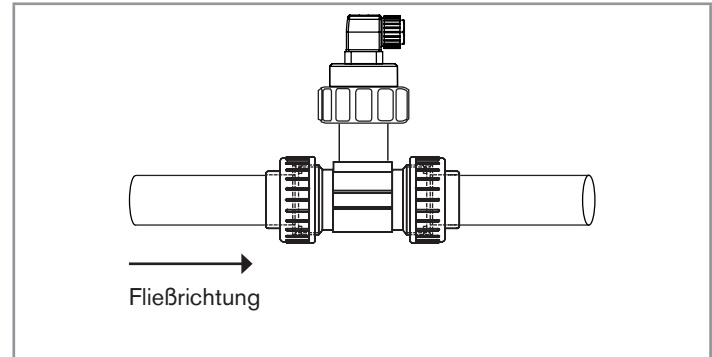
- ▶ Je nach Fittingwerkstoff die entsprechende Flüssigkeitstemperatur / -Druck-Abhängigkeit berücksichtigen (siehe [Bild 3, page 11](#)).
- ▶ Die Druckgeräterichtlinie 97/23/EG berücksichtigen.



Das Gerät vor elektromagnetischen Störungen, UV-Bestrahlung und bei Außenanwendung vor Witterungseinflüssen schützen.

## 7.2 Installation auf der Rohrleitung

Das Gerät wird mittels ein Fitting Typ S020 auf der Rohrleitung montiert (siehe [Bild 4](#) und [Bild 5](#)).



*Bild 4: Einbauposition von Fitting mit Gerät auf der Rohrleitung*

- Den Leitfähigkeitssensor auf eine horizontale Rohrleitung montieren und dabei den Gerätestecker nach oben richten.
- Das Gerät vorzugsweise Stromaufwärts eines Turbulenz erzeugenden Instruments wie ein Ventil installieren.

- Das Fitting (Punkt 5) gemäß der Bedienungsanleitung des verwendeten Fittings und gemäß Bild 4 in die Rohrleitung einbauen.
- Prüfen, ob die Dichtung (Punkt 6) auf dem Leitfähigkeits-Sensor sitzt.
- Die Überwurfmutter (Punkt 3) auf das Fitting setzen.
- Sprengring (Marke 2) in die Rille (Marke 4) einsetzen.
- Bei der Elektrode mit Zellkonstante  $K=10$ , die Öffnung des Kanals (siehe Bild 2 Kap. 6.3) in Richtung der Flüssigkeit drehen.
- Das Gerät vorsichtig in das Fitting einsetzen. Wenn die Montage korrekt ist, kann das Gerät nicht mehr um sich selbst gedreht werden.
- Das Gerät mit der Überwurfmutter am Fitting mit der Hand festschrauben.

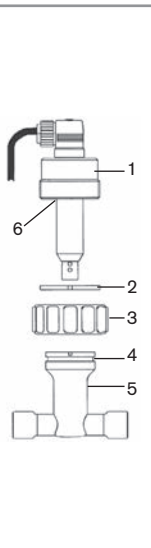


Bild 5: Installation des 8220 in ein Fitting S020

## 7.3 Verkabelung

### 7.3.1 Sicherheitshinweise



#### GEFAHR!

##### Verletzungsgefahr durch Stromschlag!

- ▶ Schalten Sie vor Beginn der Arbeiten in jedem Fall alle existierenden am Gerät angeschlossenen Spannungs-Versorgungen ab, und sichern Sie diese vor unbeabsichtigtem Wiedereinschalten!
- ▶ Die geltenden Unfallverhütungs- und Sicherheitsbestimmungen für elektrische Geräte beachten!



- Eine hochwertige (gefilterte und geregelte) Stromversorgung verwenden.
- Die Signal-Leitung nicht in Kontakt mit stromführenden Leitungen mit höherer Spannung oder Frequenz installieren. Wenn eine benachbarte Verlegung unvermeidlich ist, einen Mindestabstand von 30 cm einhalten.

### 7.3.2 Merkmale der Kabel für die Buchse Typ 2508 oder Typ 2509

Merkmale des Kabels	Empfohlener Wert
Elektromagnetische Verträglichkeit (EMV)	abgeschirmt
Maximale Länge	10 m
Durchmesser	5...8 mm
Betriebstemperatur	min. 80 °C



## Typ 8220

### Installation und Verkabelung

Merkmale des Kabels	Empfohlener Wert
Anzahl der Ader	4
Querschnitt der Ader	0,25 bis 1,5 mm <sup>2</sup>

### 7.3.3 Buchse montieren

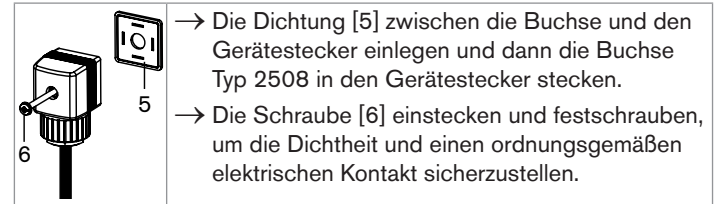
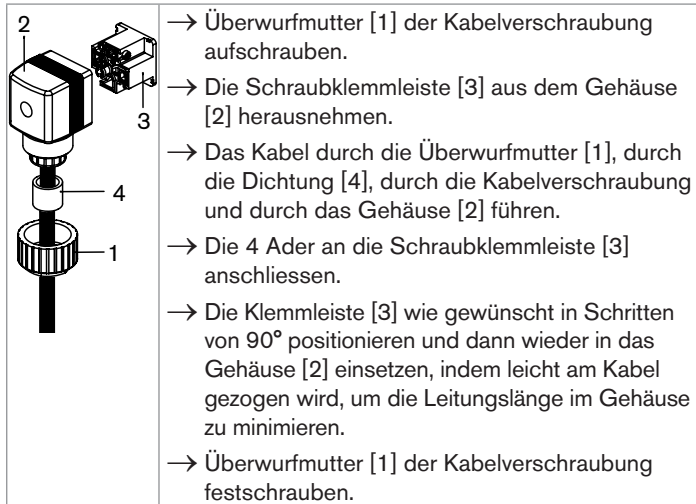


Bild 6: Montage der Buchse Typ 2508 (mitgeliefert)

### 7.3.4 Potentialausgleich der Installation gewährleisten

- Um die Äquipotentialität der Installation (Versorgungsspannung - Gerät - Flüssigkeit) zu gewährleisten,
- Die verschiedenen Erdungspunkte der Installation aneinander anschließen, damit die zwischen zwei Erdungspunkten möglicherweise erzeugten Potentialdifferenzen beseitigt werden.
  - Den Minuspol der Stromversorgung an die Erde anschließen, um die Auswirkungen von Gleichtaktströmen zu unterdrücken. Wenn die Verbindung nicht direkt vorgenommen werden kann, kann ein Kondensator mit 100 nF/50 V zwischen Minuspol der Stromversorgung und Erde geschaltet werden.
  - Wenn das Gerät auf Kunststoffrohren installiert wird, alle die sich in der Nähe des Geräts befindenden metallischen Apparate, wie Ventile oder Pumpen, an den selben Erdungspunkt anschließen.
  - Sind keine solchen Apparate in der Nähe des Geräts eingebaut, Stromauf- und -abwärts des Geräts Erdungsringe in die Kunststoffrohre einführen und diese mit derselben Erde verbinden.

→ Die Erdungsringe müssen in Kontakt mit der Flüssigkeit sein.

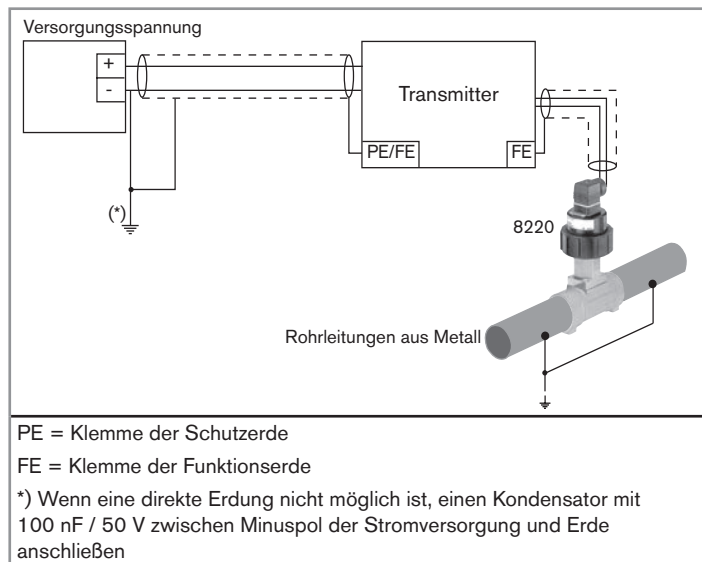


Bild 7: Äquipotentialität bei Rohrleitungen aus Metall

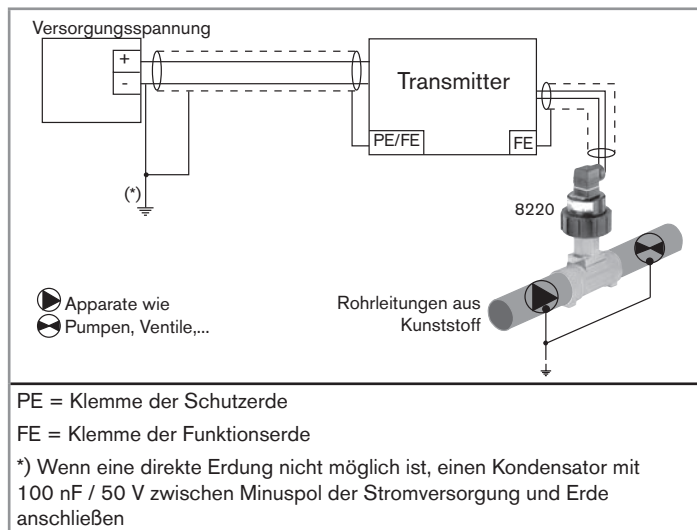


Bild 8: Äquipotentialität bei Rohrleitungen aus Kunststoff

### 7.3.5 Das Gerät an den Transmitter anschliessen

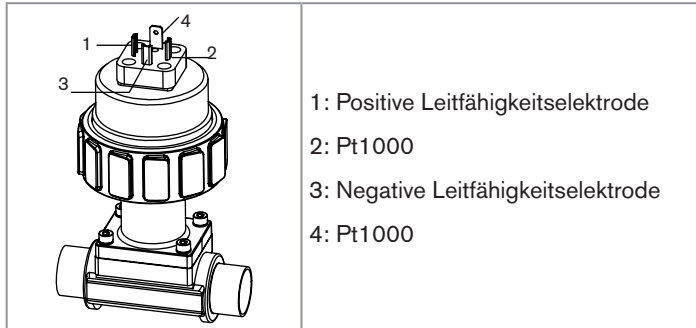


Bild 9: Belegung des Gerätesteckers

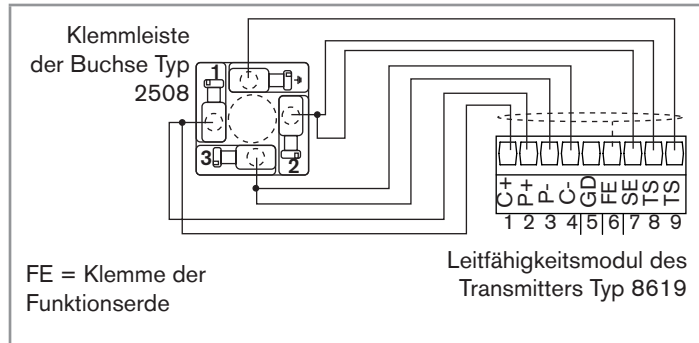


Bild 10: Anschlussbeispiel des 8220 an den Transmitter 8619

## 8 INBETRIEBNAHME



### WARNUNG!

#### Verletzungsgefahr bei unsachgemäßer Inbetriebnahme!

Nicht sachgemäße Inbetriebnahme kann zu Verletzungen sowie Schäden am Gerät und seiner Umgebung führen.

- ▶ Vor der Inbetriebnahme muss gewährleistet sein, dass der Inhalt der Bedienungsanleitung dem Bedienungspersonal bekannt ist und vollständig verstanden wurde.
- ▶ Besonders zu beachten sind die Sicherheitshinweise und die bestimmungsgemäße Verwendung.
- ▶ Das Gerät/die Anlage darf nur durch ausreichend geschultes Personal in Betrieb genommen werden.

→ Vor der Inbetriebnahme die Zellkonstante im geeigneten Einstellungsmenü des angeschlossenen Transmitters einstellen. Siehe die Bedienungsanleitung des verwendeten Transmitters.

## 9 WARTUNG, FEHLERBEHEBUNG

### 9.1 Sicherheitshinweise



#### GEFAHR!

##### Verletzungsgefahr durch elektrische Spannung!

- ▶ Schalten Sie vor Beginn der Arbeiten in jedem Fall alle existierenden am Gerät angeschlossenen Spannungs-Versorgungen ab, und sichern Sie diese vor unbeabsichtigtem Wiedereinschalten!
- ▶ Die geltenden Unfallverhütungs- und Sicherheitsbestimmungen für elektrische Geräte beachten!

##### Verletzungsgefahr durch hohen Druck in der Anlage!

- ▶ Vor dem Lösen der Prozessanschlüsse die Flüssigkeitszirkulation stoppen, die Anlage druckfrei schalten und die Rohrleitung leer laufen lassen.

##### Verletzungsgefahr durch hohe Flüssigkeitstemperaturen!

- ▶ Das Gerät nur mit Schutzhandschuhen anfassen.
- ▶ Vor dem Lösen der Prozessanschlüsse die Flüssigkeitszirkulation stoppen und die Rohrleitung leer laufen lassen.

##### Verletzungsgefahr aufgrund der Art der Flüssigkeit!

- ▶ Die geltenden Unfallverhütungs- und Sicherheitsbestimmungen bei der Verwendung gefährlicher Produkte beachten!



#### WARNUNG!

##### Gefahr durch unsachgemäße Wartungsarbeiten!

- ▶ Wartungsarbeiten dürfen nur durch autorisiertes Fachpersonal und mit geeignetem Werkzeug durchgeführt werden!
- ▶ Nach jedem Eingriff an der Anlage einen kontrollierten Wiederanlauf gewährleisten.

### 9.2 Reinigung des Geräts und des Leitfähigkeitssensors



- Bei der Reinigung des Sensors die Oberfläche nicht zerkratzen.
- Den Sensor trocken lagern.

Das Gerät nur mit einem Tuch oder Lappen reinigen, der leicht mit Wasser oder mit einem Mittel befeuchtet ist, das sich mit den Werkstoffen des Geräts verträgt.

→ Die Sauberkeit des Leitfähigkeitssensors regelmäßig prüfen und gegebenenfalls mit Wasser reinigen.

Für ergänzende Informationen steht Ihnen Ihr Lieferant Bürkert voll und ganz zur Verfügung.

## 10 ERSATZTEILE UND ZUBEHÖR



### ACHTUNG!

#### Verletzungsgefahr, Sachschäden durch ungeeignete Teile!

Falsches Zubehör und ungeeignete Ersatzteile können Verletzungen und Schäden am Gerät und dessen Umgebung verursachen.

- Verwenden Sie nur Originalzubehör sowie Originalersatzteile der Fa. Bürkert.

Ersatzteile (Bild 11)	Bestell-Nummer
Satz mit 1 grünen Dichtung aus FKM (Marke 5) + 1 schwarzen Dichtung aus EPDM (Marke 5)	552111
Sprengring (Marke 3)	619205
Überwurfmutter (Marke 4)	619204

Zubehör (Bild 11)	Bestell-Nummer
4-polige Buchse mit Kabelverschraubung (Typ 2508) (Marke 1)	438811
4-polige Buchse mit NPT 1/2"-Reduktion (Typ 2509) (Marke 2)	162673

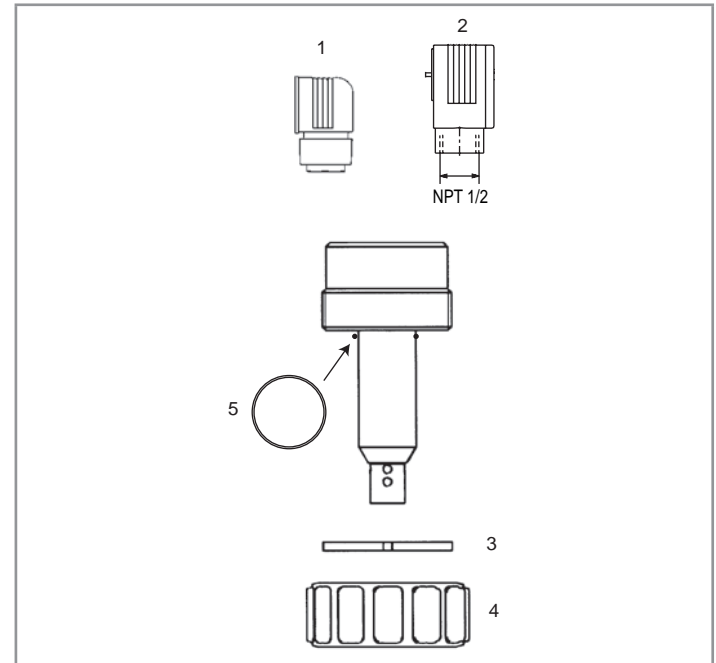


Bild 11: Explosionszeichnung des Leitfähigkeitssensors Typ 8220

## 11 TRANSPORT, LAGERUNG, ENTSORGUNG

### HINWEIS

#### **Transportschäden!**

Ein unzureichend geschütztes Gerät kann durch den Transport beschädigt werden.

- Gerät vor Nässe und Schmutz geschützt in einer stoßfesten Verpackung transportieren.
- Eine Über- bzw. Unterschreitung der zulässigen Lagertemperatur vermeiden.
- Elektrische Schnittstellen mit Schutzkappen vor Beschädigungen verschließen.

#### **Falsche Lagerung kann Schäden am Gerät verursachen!**

- Gerät trocken und staubfrei lagern!
- Lagertemperatur des Geräts: 0 bis +60 °C.

#### **Umweltschäden durch von Medien kontaminierte Teile.**

- Gerät und Verpackung umweltgerecht entsorgen!
- Geltende Entsorgungsvorschriften und Umweltbestimmungen einhalten.

1. À PROPOS DE CE MANUEL.....	4	7. INSTALLATION ET CÂBLAGE.....	12
1.1. Définition du terme "appareil".....	4	7.1. Consignes de sécurité.....	12
1.2. Symboles utilisés.....	4	7.2. Installation sur le tuyau.....	13
2. UTILISATION CONFORME.....	5	7.3. Câblage électrique.....	14
3. CONSIGNES DE SÉCURITÉ DE BASE.....	5	7.3.1. Consignes de sécurité.....	14
4. INFORMATIONS GÉNÉRALES.....	7	7.3.2. Caractéristiques des câbles pour le connecteur femelle type 2508 ou type 2509.....	14
4.1. Adresse du fabricant et contacts internationaux.....	7	7.3.3. Assembler le connecteur femelle.....	15
4.2. Conditions de garantie.....	7	7.3.4. Assurer l'équipotentialité de l'installation.....	15
4.3. Informations sur internet.....	7	7.3.5. Raccorder l'appareil au transmetteur.....	17
5. DESCRIPTION.....	7	8. MISE EN SERVICE.....	17
5.1. Secteur d'application.....	7	9. MAINTENANCE ET DÉPANNAGE.....	18
5.2. Construction.....	7	9.1. Consignes de sécurité.....	18
5.3. Description de l'étiquette d'identification.....	8	9.2. Entretien de l'appareil.....	18
5.4. Versions disponibles.....	8	10. PIÈCES DE RECHANGE ET ACCESSOIRES.....	19
6. CARACTÉRISTIQUES TECHNIQUES.....	9	11. TRANSPORT, STOCKAGE, ÉLIMINATION.....	20
6.1. Conditions d'utilisation.....	9		
6.2. Conformité aux normes et directives.....	9		
6.3. Caractéristiques mécaniques.....	9		
6.4. Caractéristiques générales.....	11		
6.5. Caractéristiques de la sonde.....	11		

## 1 À PROPOS DE CE MANUEL

Ce manuel décrit le cycle de vie complet de l'appareil. Conservez-le afin qu'il soit accessible à tout utilisateur et à disposition de tout nouveau propriétaire.

**Ce manuel d'utilisation contient des informations importantes relatives à la sécurité.**

Lire ce manuel du début à la fin. Tenir compte en particulier des chapitres "[Consignes de sécurité de base](#)" et "[Utilisation conforme](#)".

- ▶ Ce manuel d'utilisation doit être lu et compris.

### 1.1 Définition du terme "appareil"

Dans ce manuel d'utilisation, le terme "appareil" désigne toujours le capteur de conductivité type 8220.

### 1.2 Symboles utilisés



#### **DANGER**

**Met en garde contre un danger imminent.**

- ▶ Ne pas en tenir compte peut entraîner la mort ou de graves blessures.



#### **AVERTISSEMENT**

**Met en garde contre une situation éventuellement dangereuse.**

- ▶ Ne pas en tenir compte peut entraîner de graves blessures, et même la mort.



#### **ATTENTION**

**Met en garde contre un risque éventuel.**

- ▶ Ne pas en tenir compte peut entraîner des blessures légères ou de gravité moyenne.

#### **REMARQUE**

**Met en garde contre des dommages matériels.**



Conseils ou recommandations importants.



renvoie à des informations contenues dans ce manuel d'utilisation ou dans d'autres documents.

→ indique une opération à effectuer.



## 2 UTILISATION CONFORME

L'utilisation non conforme de l'appareil peut présenter des dangers pour les personnes, les installations proches et l'environnement.

Le capteur de conductivité type 8220 est destiné à la mesure de la conductivité dans les liquides.

- ▶ Utiliser cet appareil conformément aux caractéristiques et conditions de mise en service et d'utilisation indiquées dans les documents contractuels et dans le manuel d'utilisation.
- ▶ Protéger cet appareil contre les perturbations électromagnétiques, les rayons ultraviolets et, lorsqu'il est installé à l'extérieur, des effets des conditions climatiques.
- ▶ N'exploiter qu'un appareil en parfait état.
- ▶ Stocker, transporter, installer et exploiter l'appareil de façon appropriée.
- ▶ Utiliser cet appareil de façon conforme.

### Restrictions éventuelles

Lorsque l'appareil est exporté, respecter les restrictions éventuelles.

## 3 CONSIGNES DE SÉCURITÉ DE BASE

Ces consignes de sécurité ne tiennent pas compte :

- des imprévus pouvant survenir lors de l'assemblage, de l'utilisation et de l'entretien des appareils.
- des prescriptions de sécurité locales que l'exploitant est tenu de faire respecter par le personnel chargé de l'assemblage et de l'entretien.



### Risque de blessure dû à la tension électrique

- ▶ Couper l'alimentation électrique de tous les conducteurs et consigner l'alimentation électrique avant d'intervenir sur l'installation.
- ▶ Respecter la réglementation en vigueur en matière de prévention des accidents et de sécurité relative aux appareils électriques.

### Risque de blessure dû à la pression élevée dans l'installation.

- ▶ Stopper la circulation du fluide, couper la pression et purger le tuyau avant de desserrer les raccordements au process.

### Risque de blessure dû à des températures élevées du fluide.

- ▶ Utiliser des gants de protection pour saisir l'appareil.
- ▶ Stopper la circulation du fluide et purger le tuyau avant de desserrer les raccordements au process.

### Risque de blessure dû à la nature du fluide.

- ▶ Respecter la réglementation en vigueur en matière de prévention des accidents et de sécurité relative à l'utilisation de produits dangereux.



- ▶ Ne pas utiliser cet appareil dans une atmosphère explosible.
- ▶ Ne pas utiliser cet appareil dans un environnement incompatible avec les matériaux qui le composent.
- ▶ Ne pas soumettre l'appareil à des contraintes mécaniques (par ex. en y déposant des objets ou en l'utilisant comme marchepied).
- ▶ N'apporter aucune modification à l'appareil, intérieure ou extérieure.
- ▶ Empêcher toute mise sous tension involontaire de l'installation.
- ▶ Garantir un redémarrage défini et contrôlé du process, après une coupure de l'alimentation électrique.
- ▶ Respecter les règles générales de la technique.

## REMARQUE

### L'appareil peut être endommagé par le fluide en contact.

- Vérifier systématiquement la compatibilité chimique des matériaux composant l'appareil et les produits susceptibles d'entrer en contact avec celui-ci (par exemple : alcools, acides forts ou concentrés, aldéhydes, bases, esters, composés aliphatiques, cétones, aromatiques ou hydrocarbures halogénés, oxydants et agents chlorés).

## REMARQUE

### Éléments / Composants sensibles aux décharges électrostatiques

- Cet appareil contient des composants électroniques sensibles aux décharges électrostatiques. Ils peuvent être endommagés lorsqu'ils sont touchés par une personne ou un objet chargé électrostatiquement. Dans le pire des cas, ils sont détruits instantanément ou tombent en panne sitôt effectuée la mise en route.
- Pour réduire au minimum voire éviter tout dommage dû à une décharge électrostatique, prenez toutes les précautions décrites dans la norme EN 61340-5-1.
- Veiller également à ne pas toucher les composants électriques sous tension.

## 4 INFORMATIONS GÉNÉRALES

### 4.1 Adresse du fabricant et contacts internationaux

Le fabricant de l'appareil peut être contacté à l'adresse suivante :

Bürkert SAS

Rue du Giessen

BP 21

F-67220 TRIEMBACH-AU-VAL

Vous pouvez également contacter votre revendeur Bürkert.

Les adresses des filiales internationales sont disponibles sous :

[www.burkert.com](http://www.burkert.com)

### 4.2 Conditions de garantie

La condition pour bénéficier de la garantie légale est l'utilisation conforme de l'appareil dans le respect des conditions d'utilisation spécifiées dans le présent manuel d'utilisation.

### 4.3 Informations sur internet

Retrouvez sur internet les manuels d'utilisation et les fiches techniques relatifs au type 8220 sous : [www.burkert.fr](http://www.burkert.fr)

## 5 DESCRIPTION

### 5.1 Secteur d'application

L'appareil est destiné à la mesure de la conductivité dans les liquides.

L'appareil doit être raccordé à un transmetteur (type 8619 par exemple).

### 5.2 Construction

L'appareil se compose :

- d'une sonde de mesure de grandeurs physiques, composée :
  - de 2 électrodes mesurant une impédance en Ohm;
  - d'une sonde de conductivité qui intègre une sonde de température Pt1000.
- d'une embase électrique mâle à 4 broches ;
- d'un écrou pour fixer l'appareil au raccord S020.

L'appareil ne nécessite pas d'alimentation électrique propre. Il est alimenté via le transmetteur distant auquel il est raccordé.

### 5.3 Description de l'étiquette d'identification

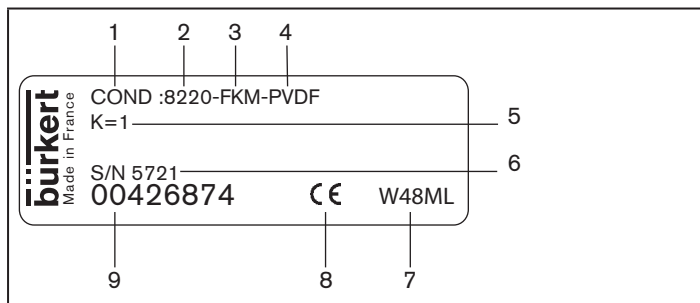


Fig. 1 : Étiquette d'identification de l'appareil (exemple)

1. Grandeur mesurée
2. Type de l'appareil
3. Matériau du joint en contact avec le fluide
4. Matériau de l'armature de la sonde de mesure
5. Constante de cellule
6. Numéro de série
7. Code de fabrication
8. Logo de conformité
9. Référence de commande

### 5.4 Versions disponibles

Plage de mesure	Constante de cellule	Matériaux		Connexions électriques	Référence de commande
		électrodes	joint		
0,05 $\mu\text{S}/\text{cm}$ à 20 $\mu\text{S}/\text{cm}$	K=0,01	acier inoxydable	FKM	embase mâle à 4 broches	426872
0,5 $\mu\text{S}/\text{cm}$ à 200 $\mu\text{S}/\text{cm}$	K=0,1				426873
0,005 mS/cm à à 10 mS/cm	K=1	graphite			426874
0,5 mS/cm à 200 mS/cm	K=10				426875

## 6 CARACTÉRISTIQUES TECHNIQUES

### 6.1 Conditions d'utilisation

Température ambiante	0 à +60°C
Humidité de l'air	≤ 80 %, non condensée

### 6.2 Conformité aux normes et directives

La conformité de l'appareil aux directives CE est respectée par les normes suivantes :

- CEM : EN 61000-6-3, EN 61000-6-2
- Sécurité : EN 61010-1
- Tenue aux vibrations : EN 60068-2-6
- Chocs : EN 60068-2-27
- Pression : conforme aux exigences de l'article 3§3 de la directive des équipements sous pression 97/23/CE.

Selon la directive des équipements sous pression 97/23/CE, l'appareil ne peut être utilisé que dans les cas suivants (en fonction de la pression max., du DN du tuyau, du type de fluide) :

Type de fluide	Conditions
Fluide groupe 1 § 1.3.a	DN 25 uniquement
Fluide groupe 2 § 1.3.a	DN ≤ 32 ou DN > 32 et PN*DN ≤ 1000
Fluide groupe 1 § 1.3.b	DN ≤ 200
Fluide groupe 2 § 1.3.b	DN ≤ 200

### 6.3 Caractéristiques mécaniques

Élément	Matériau
Boîtier	PC
Vis du connecteur femelle type 2508	acier inoxydable
Connecteur femelle type 2508	PA
Armature de la sonde de mesure	PVDF
Pt 1000	acier inoxydable 1.4571 (316 Ti)
Électrodes	
<ul style="list-style-type: none"> <li>▪ sonde K=1 ou K=10</li> <li>▪ sonde K=0,1 ou K=0,01</li> </ul>	<ul style="list-style-type: none"> <li>▪ graphite</li> <li>▪ acier inoxydable 1.4571 (316 Ti)</li> </ul>

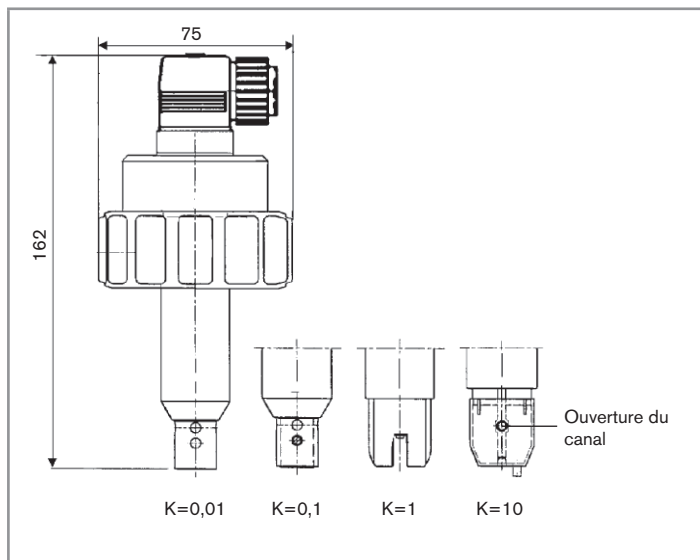





Fig. 2 : Dimensions de l'appareil [mm]

Tab. 1 : Dimension H du 8220 inséré dans un raccord S020

	 Raccord en T	 Manchon à souder ou à coller, en plastique, pour appareil d'analyse	 Manchon à souder avec courbure, en acier inoxydable
DN15	156	-	-
DN20	154	-	-
DN25	154	-	-
DN32	157	-	-
DN40	161	-	-
DN50	167	-	163
DN65	167	167	167
DN80	-	174	173
DN100	-	184	184
DN125	-	-	195
DN150	-	-	206
DN200	-	-	226

## 6.4 Caractéristiques générales

Diamètre des tuyaux	DN15 à DN200
Raccordement au process	Raccord S020 pour l'analyse
Pression du fluide	PN 10 La pression max. admissible du fluide peut être limitée par la température du fluide et le matériau du raccord S020 utilisé (voir Fig. 3)
Température du fluide	La température max. admissible du fluide peut être limitée par la pression du fluide et le matériau du raccord S020 utilisé (voir "Fig. 3")
Mesure de la conductivité	<ul style="list-style-type: none"> <li>Plage de mesure</li> <li>Écart de mesure</li> </ul>
Sonde de température	Pt 1000 intégrée dans la sonde de mesure
Mesure de la température	<ul style="list-style-type: none"> <li>Plage de mesure</li> <li>Écart de mesure</li> </ul>

\* de la VM. = de la valeur mesurée

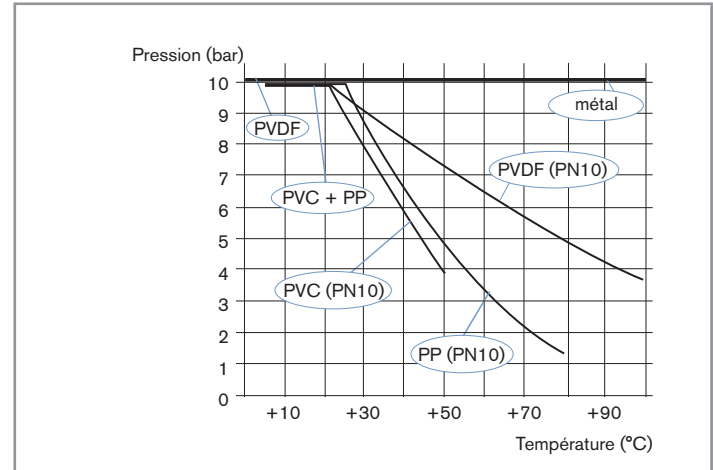


Fig. 3 : Dépendance pression du fluide - température du fluide pour le 8220 inséré dans un raccord S020, en fonction du matériau du raccord S020 utilisé

## 6.5 Caractéristiques de la sonde

Sonde K=0,01

- |   |  |
|---|--|
| <ul style="list-style-type: none"> <li>Plage de mesure</li> <li>Type de fluide</li> </ul> | <ul style="list-style-type: none"> <li>0,05 à 20 <math>\mu\text{S}/\text{cm}</math></li> <li>eau ultra-pure, eau pure</li> </ul> |
|---|--|

<p>Sonde K=0,1</p> <ul style="list-style-type: none"> <li>▪ Plage de mesure</li> <li>▪ Type de fluide</li> </ul>	<ul style="list-style-type: none"> <li>▪ 0,5 à 200 <math>\mu\text{S}/\text{cm}</math></li> <li>▪ eau pure, eau industrielle</li> </ul>
<p>Sonde K=1</p> <ul style="list-style-type: none"> <li>▪ Plage de mesure</li> <li>▪ Type de fluide</li> </ul>	<ul style="list-style-type: none"> <li>▪ 0,005 à 10 <math>\text{mS}/\text{cm}</math></li> <li>▪ eau industrielle, eau usée</li> </ul>
<p>Sonde K=10</p> <ul style="list-style-type: none"> <li>▪ Plage de mesure</li> <li>▪ Type de fluide</li> </ul>	<ul style="list-style-type: none"> <li>▪ 0,5 à 200 <math>\text{mS}/\text{cm}</math></li> <li>▪ eau usée, solution concentrée</li> </ul>

## 7 INSTALLATION ET CÂBLAGE

### 7.1 Consignes de sécurité



#### **DANGER**

##### **Risque de blessure dû à la tension électrique**

- ▶ Couper l'alimentation électrique de tous les conducteurs et consigner l'alimentation électrique avant d'intervenir sur l'installation.
- ▶ Respecter la réglementation en vigueur en matière de prévention des accidents et de sécurité relative aux appareils électriques.

##### **Risque de blessure dû à la pression élevée dans l'installation.**

- ▶ Stopper la circulation du fluide, couper la pression et purger le tuyau avant de desserrer les raccords au process.

##### **Risque de blessure dû à des températures élevées du fluide.**

- ▶ Utiliser des gants de protection pour saisir l'appareil.
- ▶ Stopper la circulation du fluide et purger le tuyau avant de desserrer les raccords au process.

##### **Risque de blessure dû à la nature du fluide.**

- ▶ Respecter la réglementation en vigueur en matière de prévention des accidents et de sécurité relative à l'utilisation de produits dangereux.





### AVERTISSEMENT

#### Risque de blessure dû à une installation non conforme.

- ▶ L'installation électrique et fluidique ne peut être effectuée que par du personnel habilité et qualifié, disposant des outils appropriés.
- ▶ Respecter la norme NF C 15-100 / IEC 60364.
- ▶ Respecter les consignes d'installation du raccord.
- ▶ Protéger l'installation contre toute mise sous tension involontaire.
- ▶ Garantir un redémarrage contrôlé de l'installation, après toute intervention sur l'appareil.



### AVERTISSEMENT

#### Risque de blessure en cas de non respect de la dépendance entre la température du fluide et la pression du fluide.

- ▶ Tenir compte de la dépendance entre la température du fluide et la pression du fluide selon les matériaux du raccord (voir Fig. 3, page 11).
- ▶ Tenir compte de la directive des équipements sous pression 97/23/CE.



Protéger l'appareil contre les perturbations électromagnétiques, les rayons ultraviolets et, lorsqu'il est installé à l'extérieur, des effets des conditions climatiques.

## 7.2 Installation sur le tuyau

L'appareil s'installe sur une canalisation à l'aide d'un raccord type S020 (voir Fig. 4 et Fig. 5).

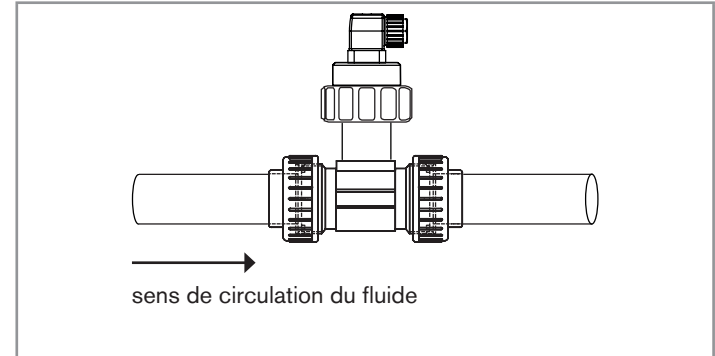


Fig. 4 : Position de montage de l'ensemble raccord-appareil dans le tuyau

- Installer le capteur de conductivité sur une canalisation horizontale et orienter le connecteur vers le haut.
- Installer l'appareil de préférence en amont d'un instrument générant des turbulences, tel qu'une vanne.

- Installer le raccord (repère 5) sur le tuyau selon les instructions du manuel d'utilisation du raccord utilisé et selon la Fig. 4.
- Vérifier la présence du joint (repère 6) sur le capteur de conductivité.
- Insérer l'écrou (repère 3) sur le raccord.
- Insérer la bague de butée (repère 2) dans la rainure (repère 4).
- Pour l'électrode de constante  $K=10$ , orienter l'ouverture du canal (voir Fig. 2, chap. 6.3) face au fluide.
- Insérer doucement l'appareil dans le raccord. Si le montage est correct, l'appareil ne peut plus tourner sur lui-même.
- Serrer l'écrou à la main pour verrouiller l'ensemble.

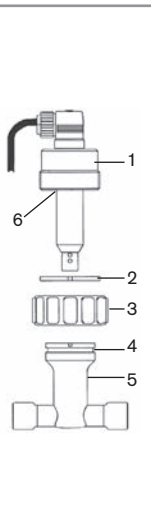


Fig. 5 : Installation du 8220 sur le raccord S020

## 7.3 Câblage électrique

### 7.3.1 Consignes de sécurité



#### **DANGER**

##### Risque de blessure par décharge électrique

- ▶ Couper l'alimentation électrique de tous les conducteurs et consigner l'alimentation électrique avant d'intervenir sur l'installation.
- ▶ Respecter la réglementation en vigueur en matière de prévention des accidents et de sécurité relative aux appareils électriques.



- Utiliser une alimentation électrique, filtrée et régulée.
- Ne pas installer le câble à proximité de câbles haute tension ou haute fréquence. Si une pose contiguë est inévitable, respecter une distance minimale de 30 cm.

### 7.3.2 Caractéristiques des câbles pour le connecteur femelle type 2508 ou type 2509

Caractéristique du câble	Valeur recommandée
Protection électromagnétique (CEM)	blindé
Longueur maximale	10 m
Diamètre	5...8 mm
Température de service	min. 80 °C

Caractéristique du câble	Valeur recommandée
Nombre de conducteurs	4
Section des conducteurs	0,25 à 1,5 mm <sup>2</sup>

### 7.3.3 Assembler le connecteur femelle

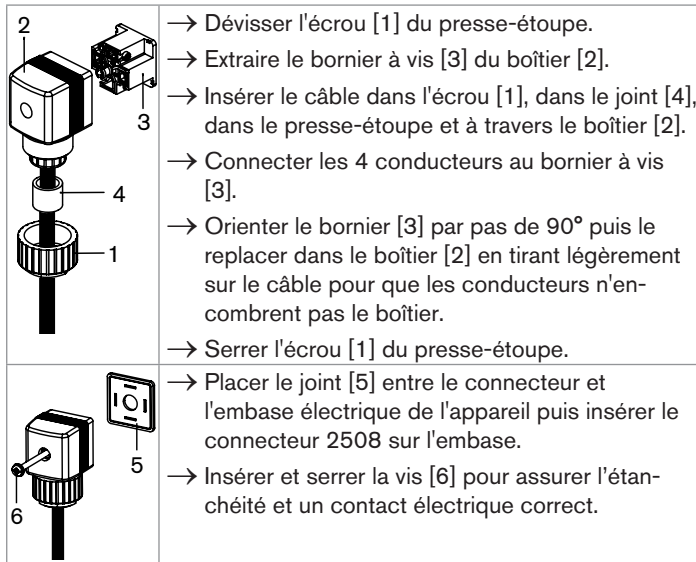


Fig. 6 : Assemblage du connecteur femelle type 2508 (fourni)

### 7.3.4 Assurer l'équipotentialité de l'installation

Pour assurer l'équipotentialité de l'installation (alimentation électrique - appareil - fluide) :

- Raccorder les différentes terres de l'installation les unes aux autres pour supprimer les différences de potentiel pouvant se créer entre elles.
- Raccorder la borne négative de l'alimentation à la terre pour supprimer les courants de mode commun. Si cette liaison n'est pas réalisable directement, un condensateur de 100 nF/50 V peut être branché entre la borne négative et la terre.
- Lorsque l'appareil est installé sur des tuyaux en plastique, relier à la même terre les différents instruments métalliques tels que vanne ou pompe se trouvant le plus près possible de l'appareil.
- Si aucun instrument de ce type ne se trouve près de l'appareil, insérer des anneaux de terre en métal à l'intérieur des tuyaux en plastique, en amont et en aval de l'appareil et les relier à la même terre.
- Mettre les anneaux de terre en contact avec le fluide.

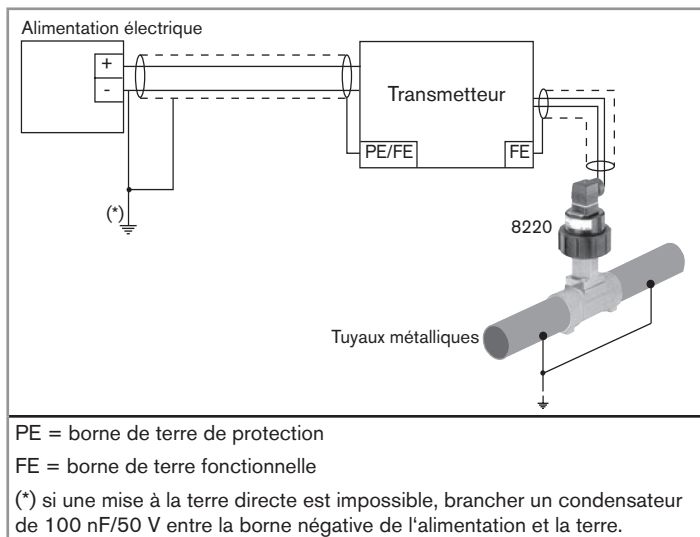


Fig. 7 : Équipotentialité de l'installation avec des tuyaux métalliques

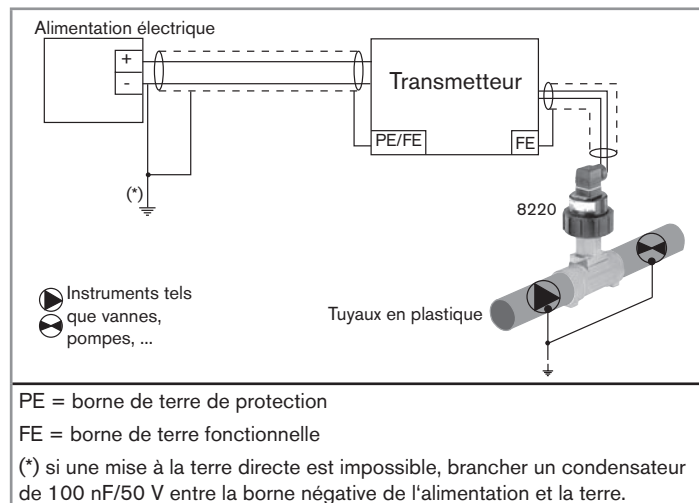


Fig. 8 : Équipotentialité de l'installation avec des tuyaux en plastique

### 7.3.5 Raccorder l'appareil au transmetteur

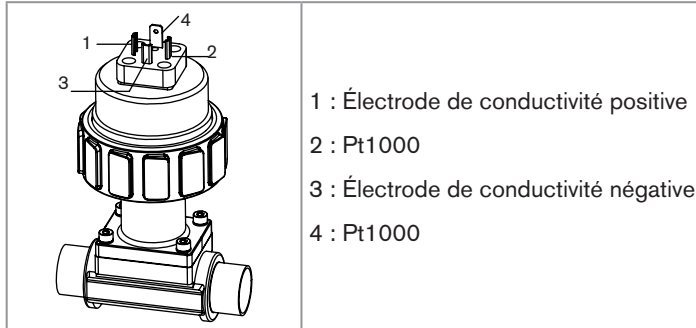


Fig. 9 : Affectation des broches de l'embase électrique

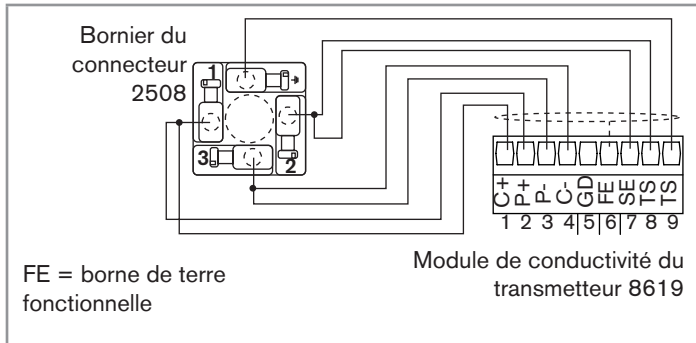


Fig. 10 : Exemple de raccordement du 8220 au transmetteur 8619

## 8 MISE EN SERVICE



### AVERTISSEMENT

#### Risque de blessure dû à une mise en service non conforme.

La mise en service non conforme peut entraîner des blessures et endommager l'appareil et son environnement.

- ▶ Le personnel chargé de la mise en service doit avoir lu et compris le contenu de ce manuel d'utilisation.
- ▶ Respecter en particulier les consignes de sécurité et l'utilisation conforme.
- ▶ L'appareil / l'installation ne doit être mis(e) en service que par du personnel suffisamment formé.

→ Avant la mise en service, régler la constante de cellule dans le menu de paramétrage adéquat du transmetteur distant. Se référer au manuel d'utilisation du transmetteur utilisé.

## 9 MAINTENANCE ET DÉPANNAGE

### 9.1 Consignes de sécurité



#### **DANGER**

##### **Risque de blessure dû à la tension électrique**

- ▶ Couper l'alimentation électrique de tous les conducteurs et consigner l'alimentation électrique avant d'intervenir sur l'installation.
- ▶ Respecter la réglementation en vigueur en matière de prévention des accidents et de sécurité relative aux appareils électriques.

##### **Risque de blessure dû à la pression élevée dans l'installation.**

- ▶ Stopper la circulation du fluide, couper la pression et purger le tuyau avant de desserrer les raccords au process.

##### **Risque de blessure dû à des températures élevées du fluide.**

- ▶ Utiliser des gants de protection pour saisir l'appareil.
- ▶ Stopper la circulation du fluide et purger le tuyau avant de desserrer les raccords au process.

##### **Risque de blessure dû à la nature du fluide.**

- ▶ Respecter la réglementation en vigueur en matière de prévention des accidents et de sécurité relative à l'utilisation de produits dangereux.



#### **AVERTISSEMENT**

##### **Danger dû à une maintenance non conforme.**

- ▶ Ces travaux doivent être effectués uniquement par du personnel qualifié et habilité, disposant des outils appropriés.
- ▶ Après toute coupure de l'alimentation électrique, garantir un redémarrage défini ou contrôlé du process.

### 9.2 Entretien de l'appareil



- Durant le nettoyage de la sonde, veiller à ne pas rayer sa surface.
- Stocker la sonde à sec.

L'appareil peut être nettoyé avec un chiffon légèrement imbibé d'eau ou d'un produit compatible avec les matériaux qui le composent.

→ Vérifier régulièrement la propreté de la sonde de conductivité et la nettoyer si nécessaire avec de l'eau.

Votre fournisseur Bürkert reste à votre entière disposition pour tous renseignements complémentaires.

## 10 PIÈCES DE RECHANGE ET ACCESSOIRES

### ATTENTION

**Risque de blessure et de dommage matériel dû à l'utilisation de pièces inadaptées.**

Un mauvais accessoire ou une pièce de rechange inadaptée peuvent entraîner des blessures et endommager l'appareil et son environnement.

- N'utiliser que les accessoires et pièces détachées d'origine de la société Bürkert.

Pièces de rechange (Fig. 11)	Référence de commande
Lot de 1 joint vert en FKM (repère 5) + 1 joint noir en EPDM (repère 5)	552111
Bague de butée (repère 3)	619205
Écrou (repère 4)	619204

Accessoires (Fig. 11)	Référence de commande
Connecteur femelle à 4 pôles, avec presse-étoupe (type 2508) (repère 1)	438811
Connecteur femelle à 4 pôles, avec réduction NPT 1/2" (type 2509) (repère 2)	162673

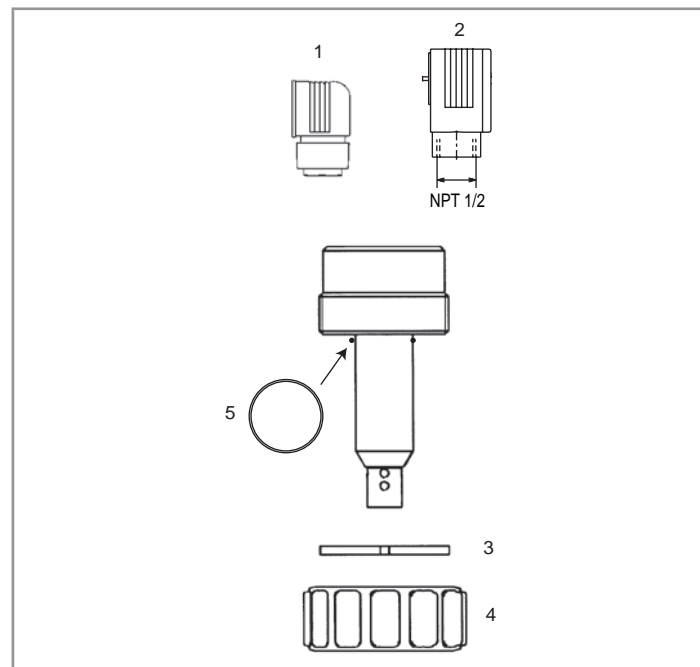


Fig. 11 : Vue éclatée du capteur de conductivité type 8220

## 11 TRANSPORT, STOCKAGE, ÉLIMINATION

### REMARQUE

#### **Dommages dus au transport**

Le transport peut endommager un appareil insuffisamment protégé.

- Transporter l'appareil dans un emballage résistant aux chocs, à l'abri de l'humidité et des impuretés.
- Ne pas exposer l'appareil à des températures pouvant entraîner le dépassement de la plage de température de stockage.
- Protéger les interfaces électriques à l'aide de bouchons de protection.

#### **Un mauvais stockage peut endommager l'appareil.**

- Stocker l'appareil dans un endroit sec et à l'abri de la poussière.
- Température de stockage de l'appareil: 0 à +60 °C.

#### **Dommages à l'environnement dus à des pièces contaminées par le fluide.**

- Éliminer l'appareil et l'emballage dans le respect de l'environnement.
- Respecter les prescriptions nationales en matière d'élimination des déchets.





[www.burkert.com](http://www.burkert.com)